



**Fitzpatrick
Woolmer**

Cavalier™ Combination Display

Our **Cavalier™ Combination Display**, made from stainless steel in a traditional style, blends durability with timeless design. It pairs a secure, lockable notice board for updating posters and flyers with a permanent display panel, perfect for maps, interpretation, or visitor information.

Weather-resistant and low-maintenance, it is built to withstand demanding public environments while complementing heritage or civic settings. Strong, practical, and elegant, our Cavalier™ Combination Display provides a reliable solution for sharing information and engaging communities year after year.

Product features

- * Stainless steel construction
- * Can be supplied with or without a header board
- * Removable graphic panel
- * Robust stainless steel locks
- * Tough 4mm clear polycarbonate window
- * Magnetic back board – magnets included
- * Vent holes to minimise condensation
- * Powdercoat finish to standard colour
- * Standard sizes A2 and A1 notice board
- * 1 year manufacturer's warranty

Fitzpatrick Woolmer Design & Publishing Limited

Unit 7 Lakeside Park, Neptune Close, Rochester, Kent, ME2 4LT
t: 01634 711 771 e: info@fwdp.co.uk w: fwdp.co.uk



By Appointment to His Majesty The King
Manufacturer of Signs and Wayfinding
Fitzpatrick Woolmer Design & Publishing Ltd, Kent

Specification applies to the standard product. Our range of options usually allow us to accommodate any differences you may require. Please contact us and we will be happy to support you in developing this specification to meet your requirements.

Option delete/ update as appropriate

Manufacturer: Fitzpatrick Woolmer,
Unit 7 Lakeside Park, Neptune Close,
Rochester, Kent, ME2 4LT.

Tel: 01634 711 771

Email: info@fwdp.co.uk

Metal: Stainless steel

Grade: 304

Metal: Aluminium

Grade: 1050

Finish: Powdercoat to BS EN 12206:2021 Part 1

Colour: RAL 9005 Black

Fixings: Stainless steel

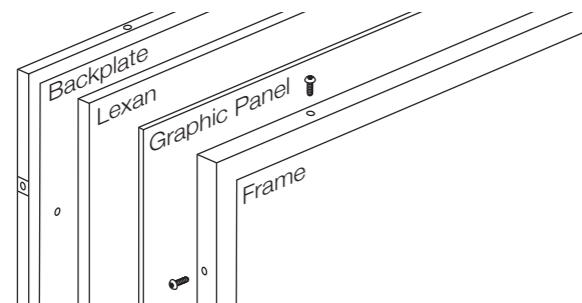
Type: Security

Capacity: Will accommodate a 3mm thick printed graphic panel

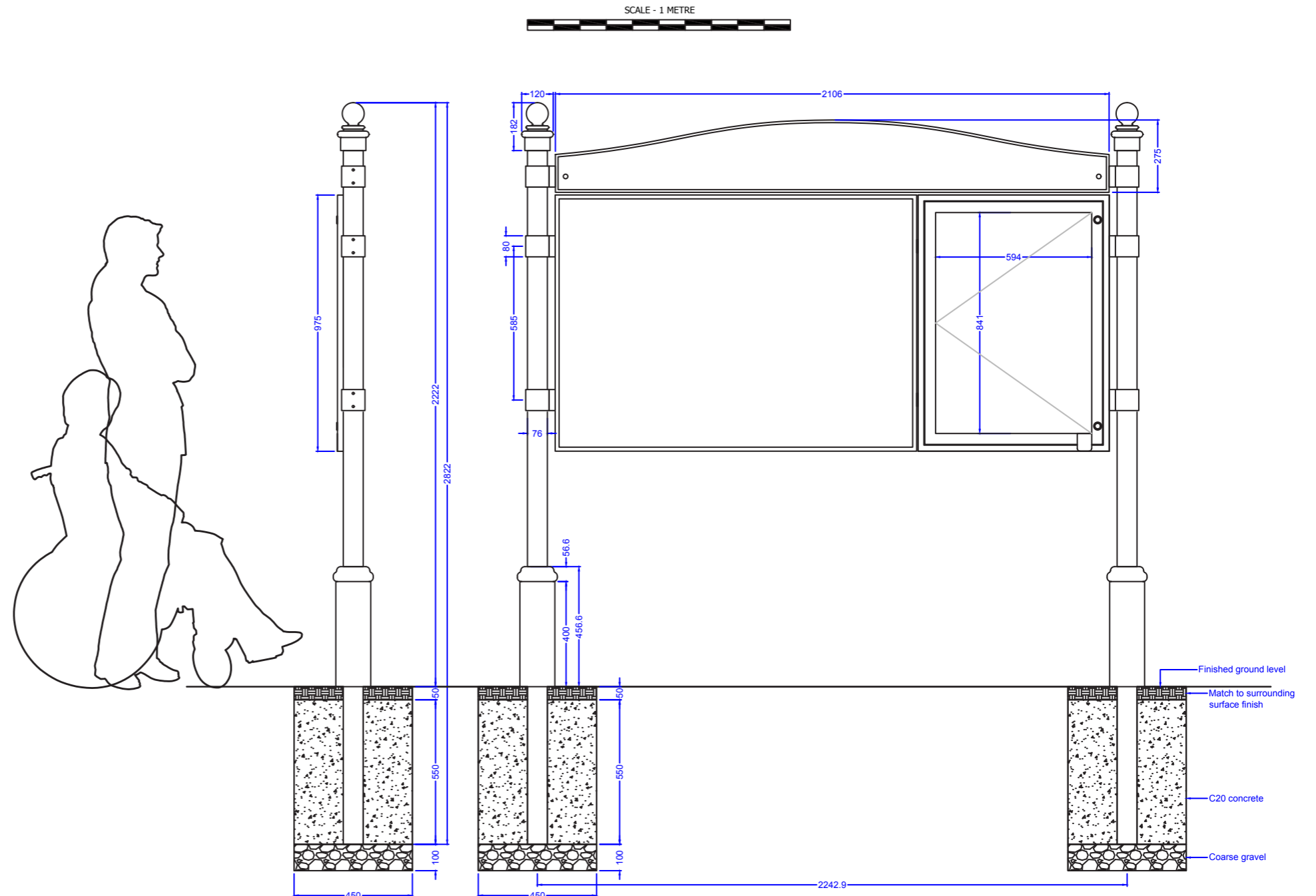
Weight: 115kg

Installation: Posts extend 600mm below ground level

Guarantee: One year manufacturer's warranty



Standard frame assembly



Note: All dimensions are indicative only. Footing details are subject to soil conditions and structural engineers recommendations.

Specification applies to the standard product. Our range of options usually allow us to accommodate any differences you may require. Please contact us and we will be happy to support you in developing this specification to meet your requirements.

Option delete/ update as appropriate

Manufacturer: Fitzpatrick Woolmer,
Unit 7 Lakeside Park, Neptune Close,
Rochester, Kent, ME2 4LT.

Tel: 01634 711 771

Email: info@fwdp.co.uk

Metal: Stainless steel

Grade: 304

Finish: Powdercoat to BS EN 12206:2021 Part 1

Colour: RAL 9005 Black

Fixings: Stainless steel

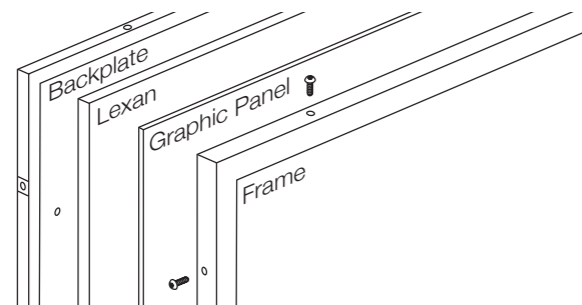
Type: Security

Capacity: Will accommodate a 3mm thick printed graphic panel

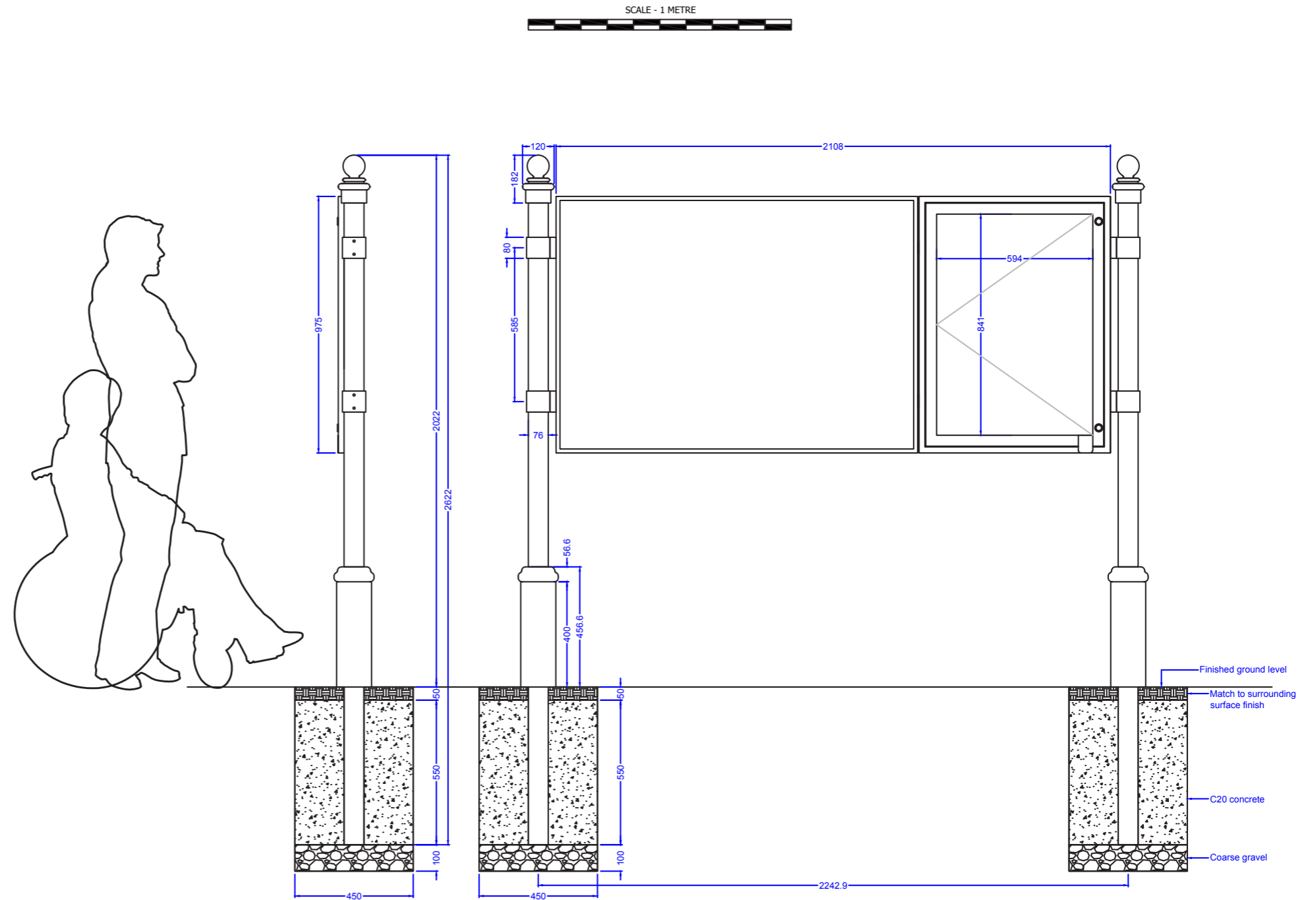
Weight: 90kg

Installation: Posts extend 600mm below ground level

Guarantee: One year manufacturer's warranty



Standard frame assembly



Note: All dimensions are indicative only. Footing details are subject to soil conditions and structural engineers recommendations.

Specification applies to the standard product. Our range of options usually allow us to accommodate any differences you may require. Please contact us and we will be happy to support you in developing this specification to meet your requirements.

Option delete/ update as appropriate

Manufacturer: Fitzpatrick Woolmer,
Unit 7 Lakeside Park, Neptune Close,
Rochester, Kent, ME2 4LT.

Tel: 01634 711 771

Email: info@fwdp.co.uk

Metal: Stainless steel

Grade: 304

Finish: Powdercoat to BS EN 12206:2021 Part 1

Colour: RAL 9005 Black

Fixings: Stainless steel

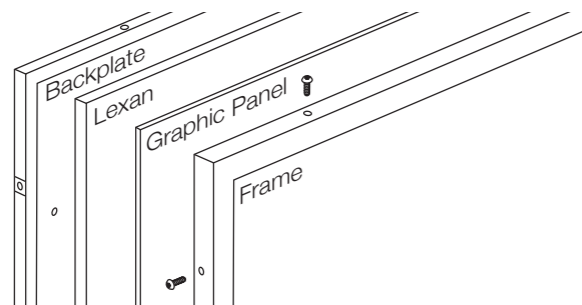
Type: Security

Capacity: Will accommodate a 3mm thick printed graphic panel

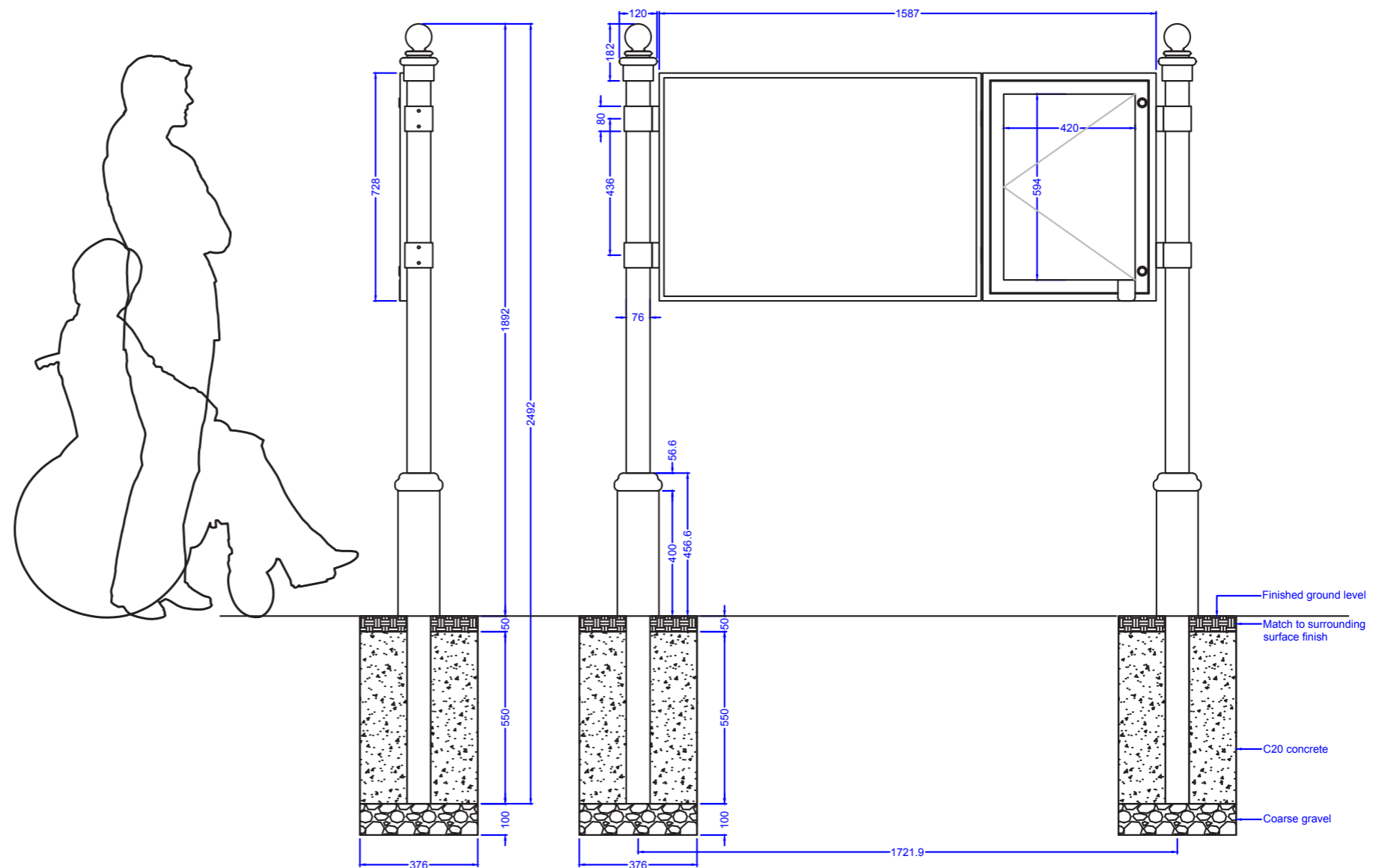
Weight: 70kg

Installation: Posts extend 600mm below ground level

Guarantee: One year manufacturer's warranty



Standard frame assembly



Note: All dimensions are indicative only. Footing details are subject to soil conditions and structural engineers recommendations.