



**Fitzpatrick
Woolmer**

Cavalier™ Notice Board

Our **Cavalier™** notice boards combine classic design with modern durability. Built to withstand the elements, they offer long-lasting performance in outdoor and high-traffic areas. Available in single or double door options, each board features lockable doors to keep notices secure and protected.

The timeless, understated appearance complements heritage and civic settings, while the practical construction ensures easy maintenance and clear presentation. A reliable choice for displaying important information with both style and strength.

Product features

- * Stainless steel construction
- * Can be supplied with or without a header board
- * Robust stainless steel locks
- * Gas struts to support doors when open
- * Tough 4mm clear polycarbonate window
- * Magnetic back board – magnets included
- * Vent holes to minimise condensation
- * Powdercoat finish to standard colour
- * Standard sizes A2, A1 and A0
- * 1 year manufacturer's warranty

Fitzpatrick Woolmer Design & Publishing Limited

Unit 7 Lakeside Park, Neptune Close, Rochester, Kent, ME2 4LT
t: 01634 711 771 e: info@fwdp.co.uk w: fwdp.co.uk



By Appointment to His Majesty The King
Manufacturer of Signs and Wayfinding
Fitzpatrick Woolmer Design & Publishing Ltd, Kent

Specification applies to the standard product. Our range of options usually allow us to accommodate any differences you may require. Please contact us and we will be happy to support you in developing this specification to meet your requirements.

Option delete/ update as appropriate

Manufacturer: Fitzpatrick Woolmer,
Unit 7 Lakeside Park, Neptune Close,
Rochester, Kent, ME2 4LT.

Tel: 01634 711 771

Email: info@fwdp.co.uk

Metal: Stainless steel

Grade: 304

Metal: Aluminium

Grade: 1050

Finish: Powdercoat to BS EN 12206:2021 Part 1

Colour: RAL 9005 Black

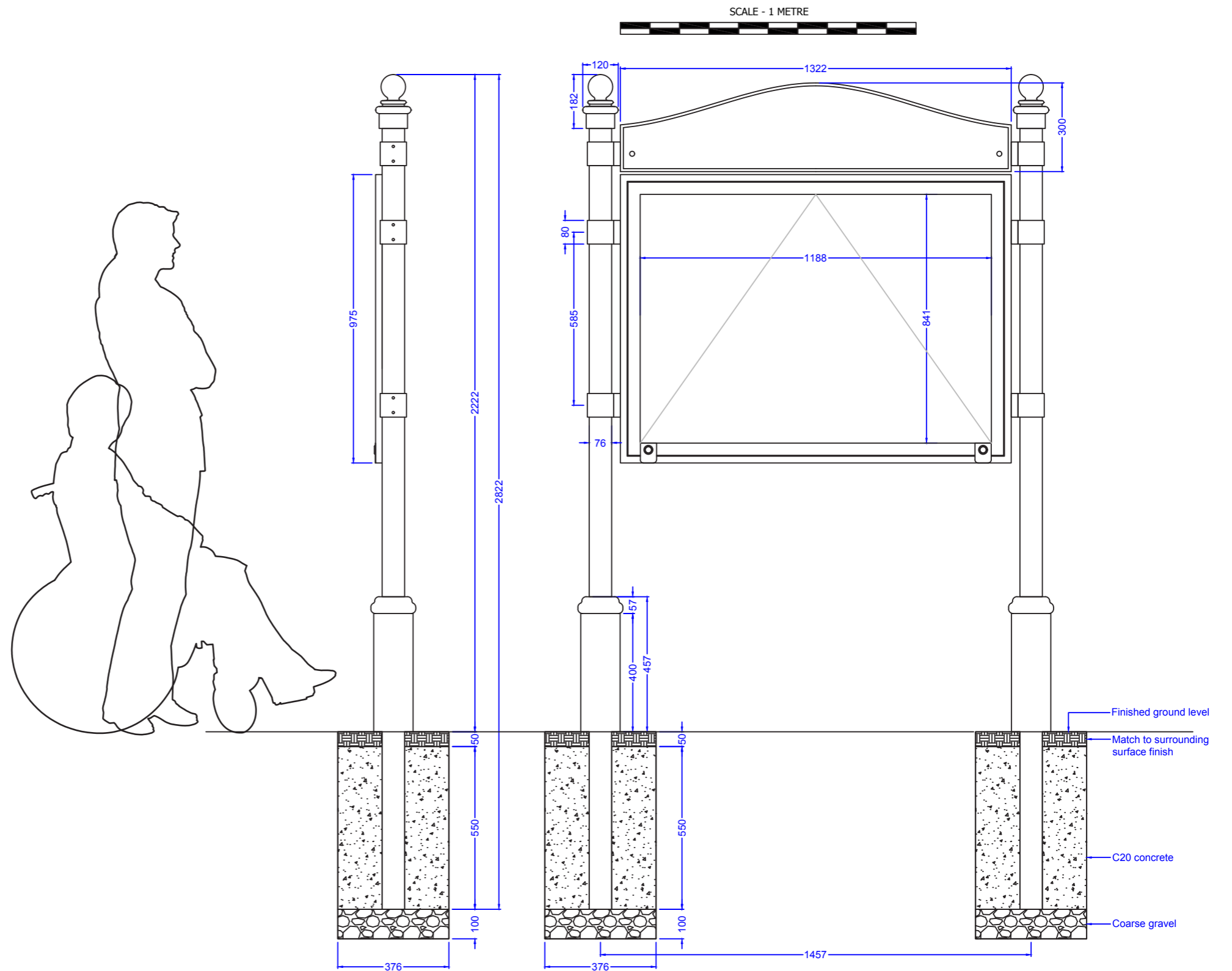
Fixings: Stainless steel

Type: Security

Weight: 86kg

Installation: Posts extend 600mm below ground level

Guarantee: One year manufacturer's warranty



Note: All dimensions are indicative only. Footing details are subject to soil conditions and structural engineers recommendations.

Specification applies to the standard product. Our range of options usually allow us to accommodate any differences you may require. Please contact us and we will be happy to support you in developing this specification to meet your requirements.

Option delete/ update as appropriate

Manufacturer: Fitzpatrick Woolmer, Unit 7 Lakeside Park, Neptune Close, Rochester, Kent, ME2 4LT.

Tel: 01634 711 771

Email: info@fwdp.co.uk

Metal: Stainless steel

Grade: 304

Metal: Aluminium

Grade: 1050

Finish: Powdercoat to BS EN 12206:2021 Part 1

Colour: RAL 9005 Black

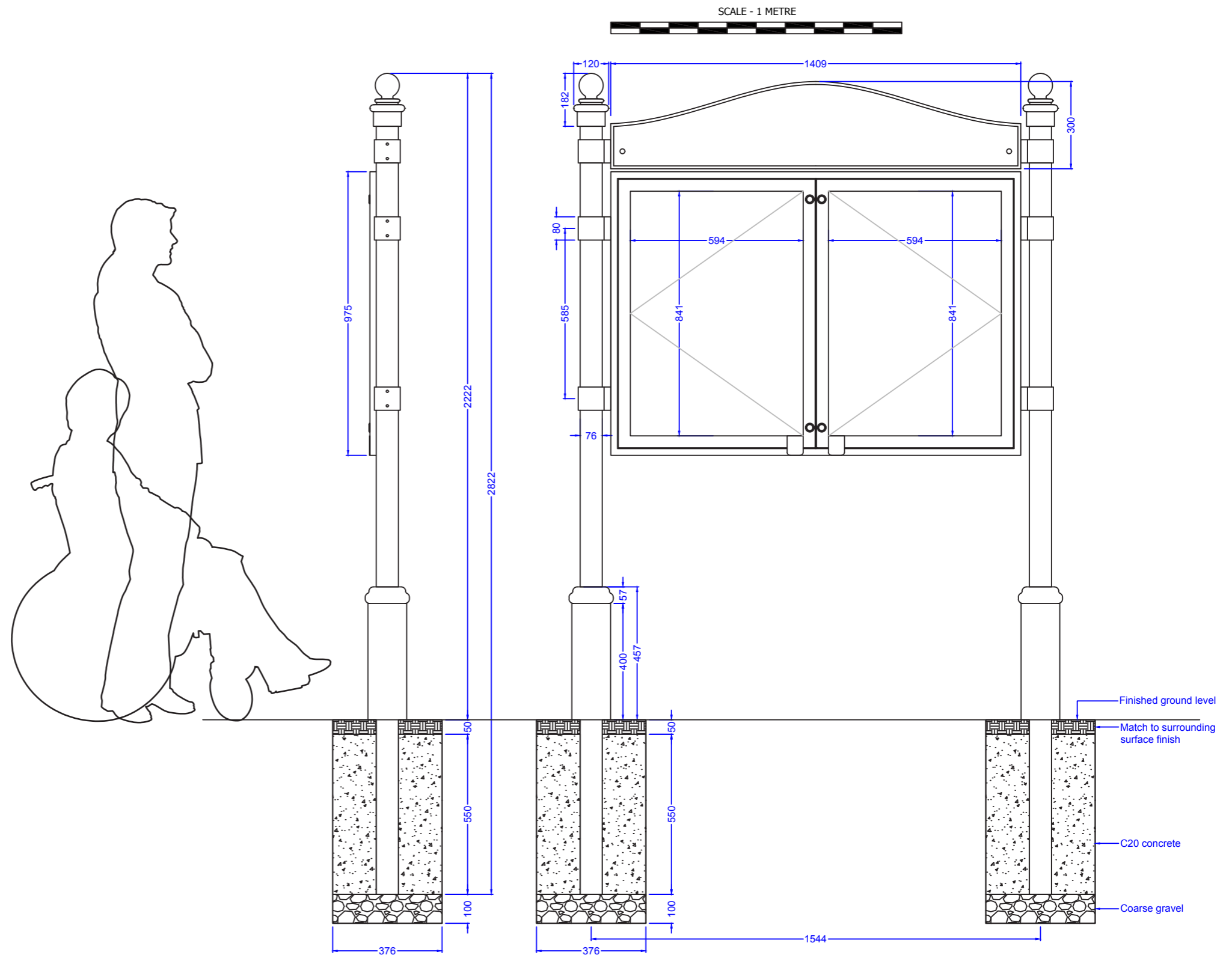
Fixings: Stainless steel

Type: Security

Weight: 93kg

Installation: Posts extend 600mm below ground level

Guarantee: One year manufacturer's warranty



Note: All dimensions are indicative only. Footing details are subject to soil conditions and structural engineers recommendations.

Specification applies to the standard product. Our range of options usually allow us to accommodate any differences you may require. Please contact us and we will be happy to support you in developing this specification to meet your requirements.

Option delete/ update as appropriate

Manufacturer: Fitzpatrick Woolmer, Unit 7 Lakeside Park, Neptune Close, Rochester, Kent, ME2 4LT.

Tel: 01634 711 771

Email: info@fwdp.co.uk

Metal: Stainless steel

Grade: 304

Finish: Powdercoat to BS EN 12206:2021 Part 1

Colour: RAL 9005 Black

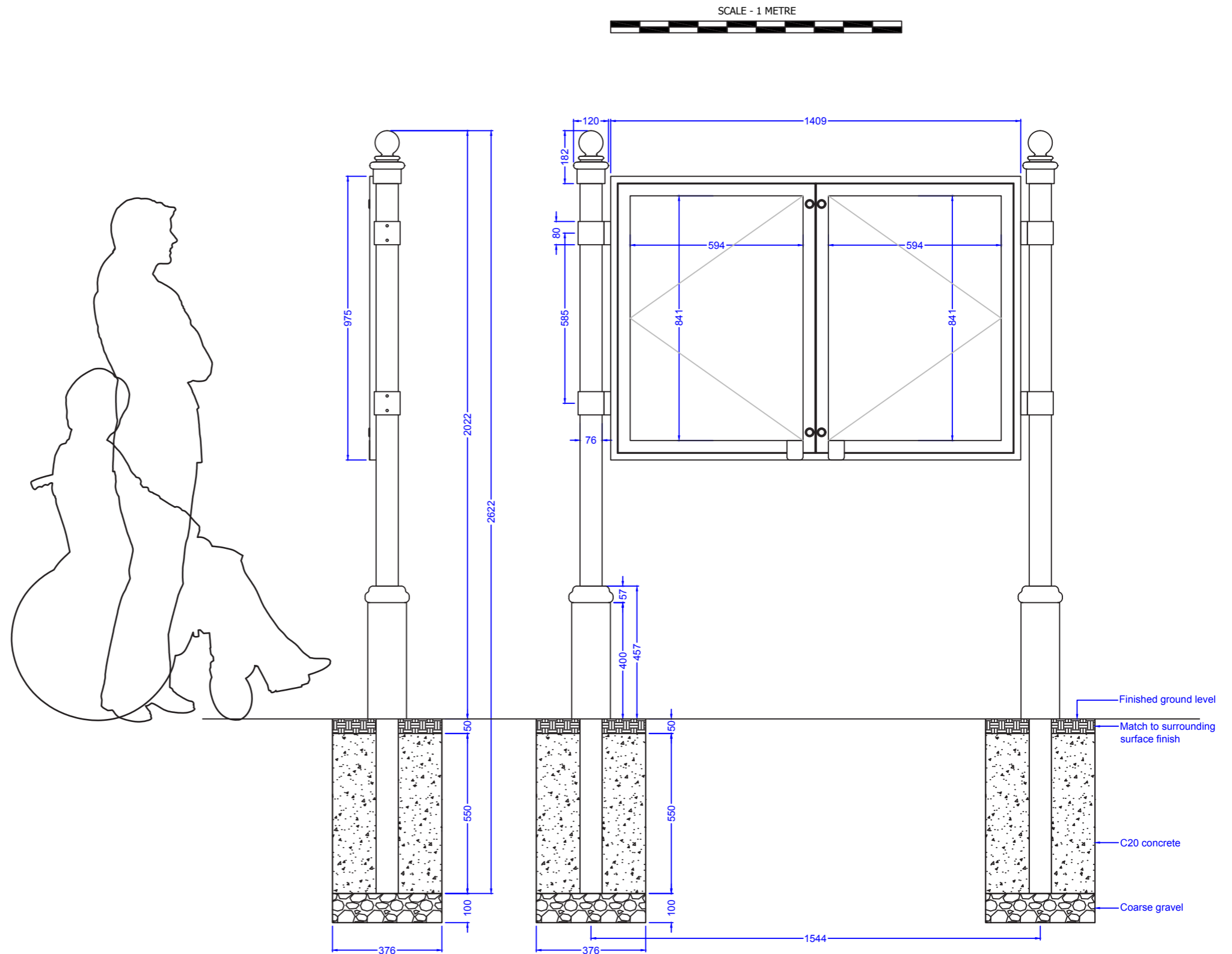
Fixings: Stainless steel

Type: Security

Weight: 77kg

Installation: Posts extend 600mm below ground level

Guarantee: One year manufacturer's warranty



Note: All dimensions are indicative only. Footing details are subject to soil conditions and structural engineers recommendations.

Specification applies to the standard product. Our range of options usually allow us to accommodate any differences you may require. Please contact us and we will be happy to support you in developing this specification to meet your requirements.

Option delete/ update as appropriate

Manufacturer: Fitzpatrick Woolmer,
Unit 7 Lakeside Park, Neptune Close,
Rochester, Kent, ME2 4LT.

Tel: 01634 711 771

Email: info@fwdp.co.uk

Metal: Stainless steel

Grade: 304

Metal: Aluminium

Grade: 1050

Finish: Powdercoat to BS EN 12206:2021 Part 1

Colour: RAL 9005 Black

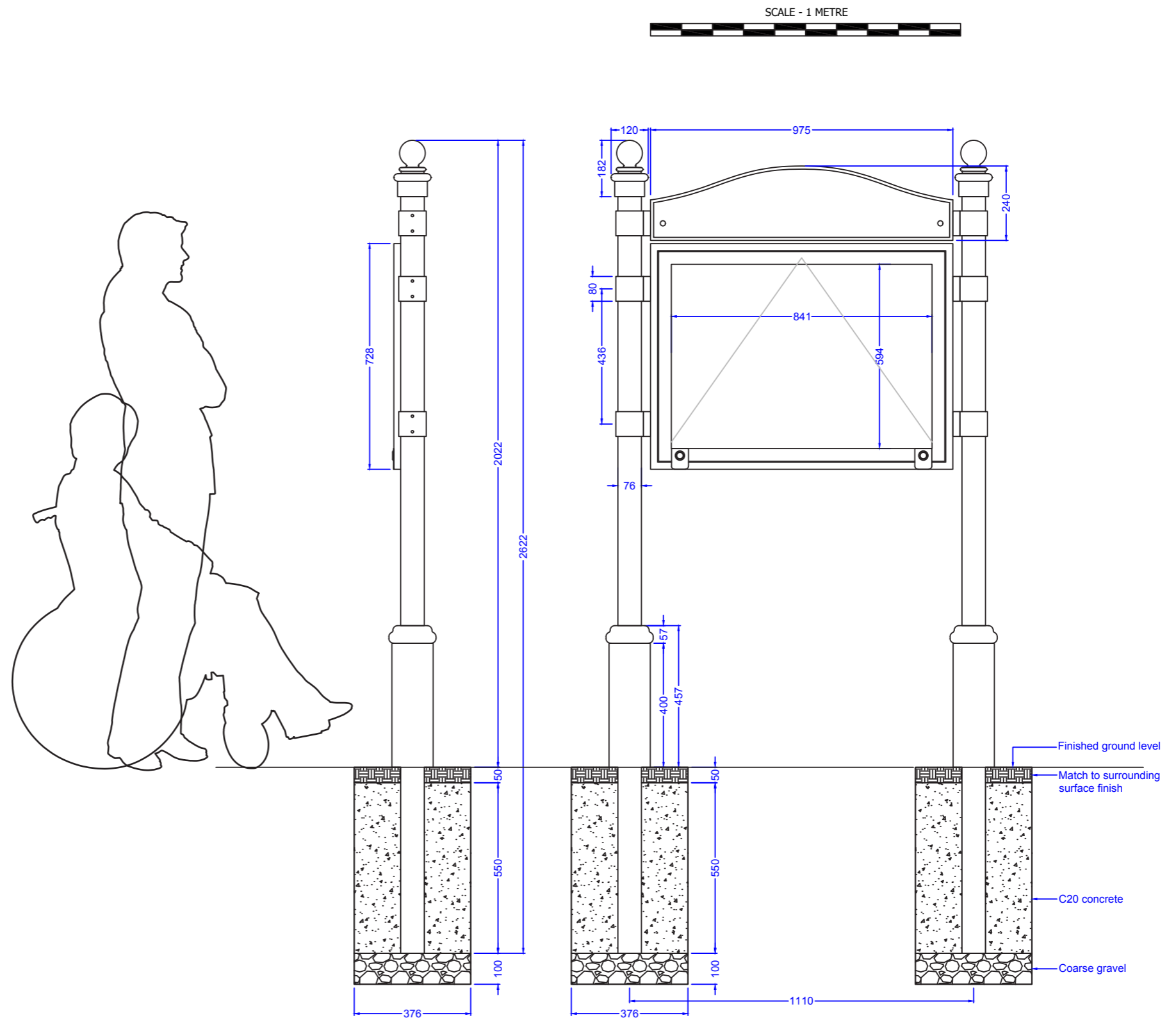
Fixings: Stainless steel

Type: Security

Weight: 66kg

Installation: Posts extend 600mm below ground level

Guarantee: One year manufacturer's warranty



Note: All dimensions are indicative only. Footing details are subject to soil conditions and structural engineers recommendations.

Specification applies to the standard product. Our range of options usually allow us to accommodate any differences you may require. Please contact us and we will be happy to support you in developing this specification to meet your requirements.

Option delete/ update as appropriate

Manufacturer: Fitzpatrick Woolmer,
Unit 7 Lakeside Park, Neptune Close,
Rochester, Kent, ME2 4LT.

Tel: 01634 711 771

Email: info@fwdp.co.uk

Metal: Stainless steel

Grade: 304

Metal: Aluminium

Grade: 1050

Finish: Powdercoat to BS EN 12206:2021 Part 1

Colour: RAL 9005 Black

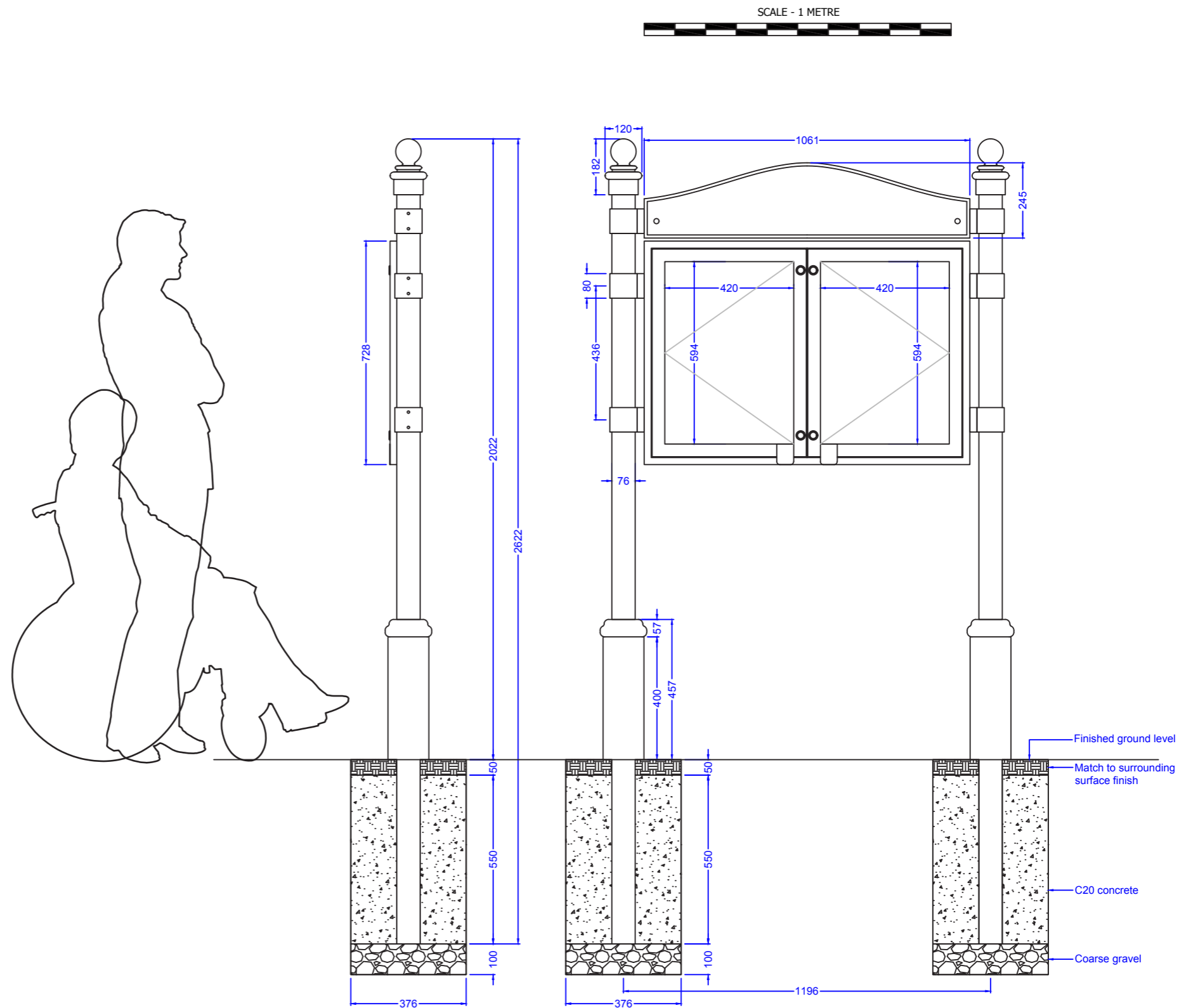
Fixings: Stainless steel

Type: Security

Weight: 72kg

Installation: Posts extend 600mm below ground level

Guarantee: One year manufacturer's warranty



Note: All dimensions are indicative only. Footing details are subject to soil conditions and structural engineers recommendations.

Specification applies to the standard product. Our range of options usually allow us to accommodate any differences you may require. Please contact us and we will be happy to support you in developing this specification to meet your requirements.

Option delete/ update as appropriate

Manufacturer: Fitzpatrick Woolmer,
Unit 7 Lakeside Park, Neptune Close,
Rochester, Kent, ME2 4LT.

Tel: 01634 711 771

Email: info@fwdp.co.uk

Metal: Stainless steel

Grade: 304

Metal: Aluminium

Grade: 1050

Finish: Powdercoat to BS EN 12206:2021 Part 1

Colour: RAL 9005 Black

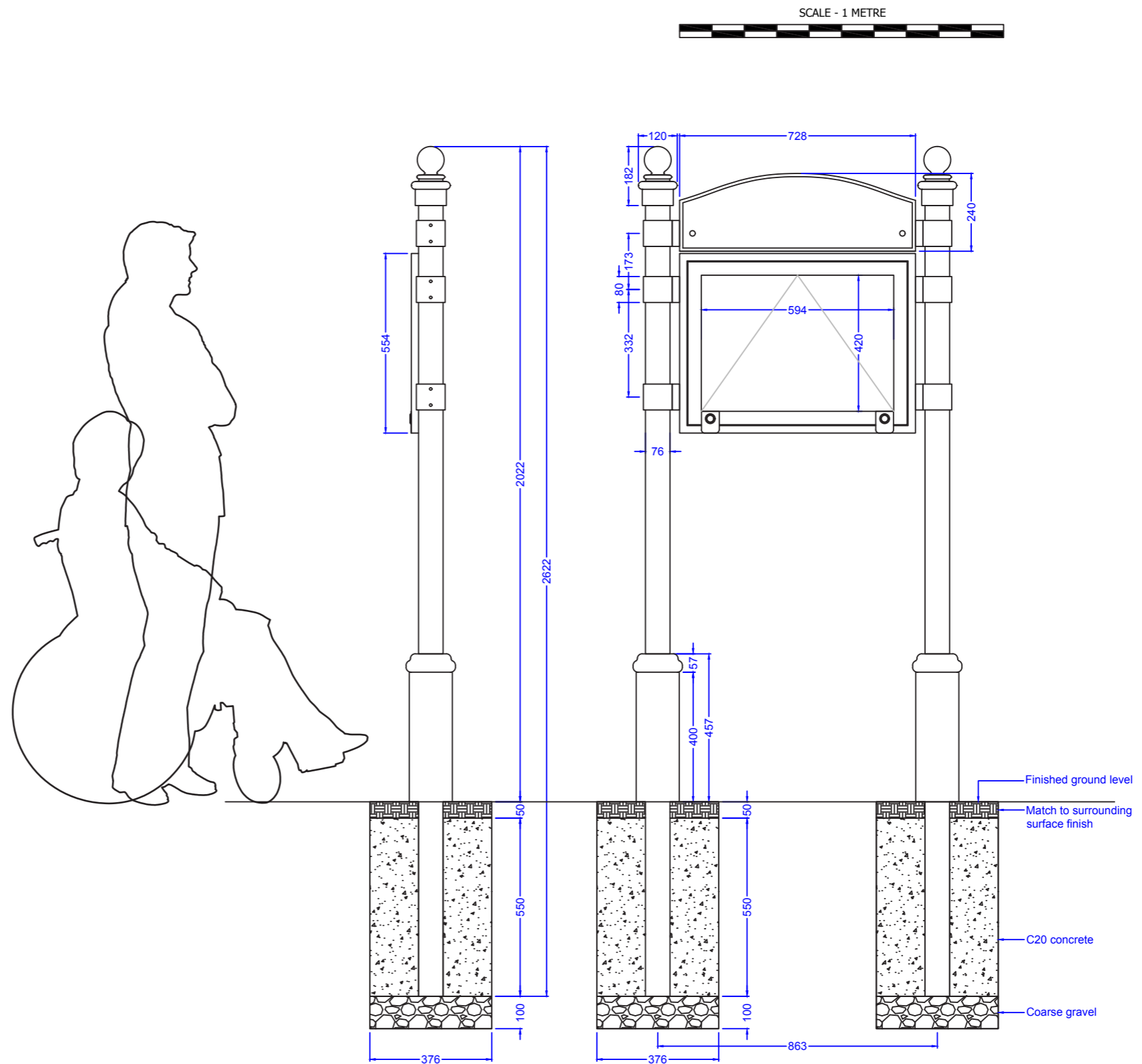
Fixings: Stainless steel

Type: Security

Weight: 56kg

Installation: Posts extend 600mm below ground level

Guarantee: One year manufacturer's warranty



Note: All dimensions are indicative only. Footing details are subject to soil conditions and structural engineers recommendations.

