



# Fitzpatrick Woolmer

Oak  
**Chelmer**

Our **Chelmer** Oak lectern displays have a rustic appearance and are ideal for countryside and woodland settings. Made from FSC certified hardwood Oak they offer a highly durable and aesthetically pleasing interpretation display solution.

Interpretation panels are presented at a low angle, ideal for children and wheelchair users or in areas where space is limited. Twin leg and single leg lecterns are available in a range of sizes to accommodate larger and smaller interpretation boards.

#### Product features

- \* Hardwood FSC Oak construction
- \* Tamper resistant fixings
- \* Removable graphic panel
- \* Easy access for children and wheelchair users
- \* Preservative finish
- \* Standard sizes A4, A3, A2 and A1
- \* 1 year manufacturer's warranty

**Fitzpatrick Woolmer Design & Publishing Limited**

Unit 7 Lakeside Park, Neptune Close, Rochester, Kent, ME2 4LT  
t: 01634 711 771 e: info@fwdp.co.uk w: fwdp.co.uk



By Appointment to His Majesty The King  
Manufacturer of Signs and Wayfinding  
Fitzpatrick Woolmer Design & Publishing Ltd, Kent

Specification applies to the standard product. Our range of options usually allow us to accommodate any differences you may require. Please contact us and we will be happy to support you in developing this specification to meet your requirements.

Option delete/ update as appropriate

**Manufacturer:** Fitzpatrick Woolmer,  
Unit 7 Lakeside Park, Neptune Close,  
Rochester, Kent, ME2 4LT.

**Tel:** 01634 711 771

**Email:** info@fwdp.co.uk

**Timber:** FSC Prime Grade to BS EN 975-1

**Species:** Oak

**Origin:** France

**Moisture content on delivery:** 10% - 20%

**Certification:** FSC chain of custody

**Finish:** Sadolin Classic wood preservative,  
solvent based, matt

**Colour:** Light Oak

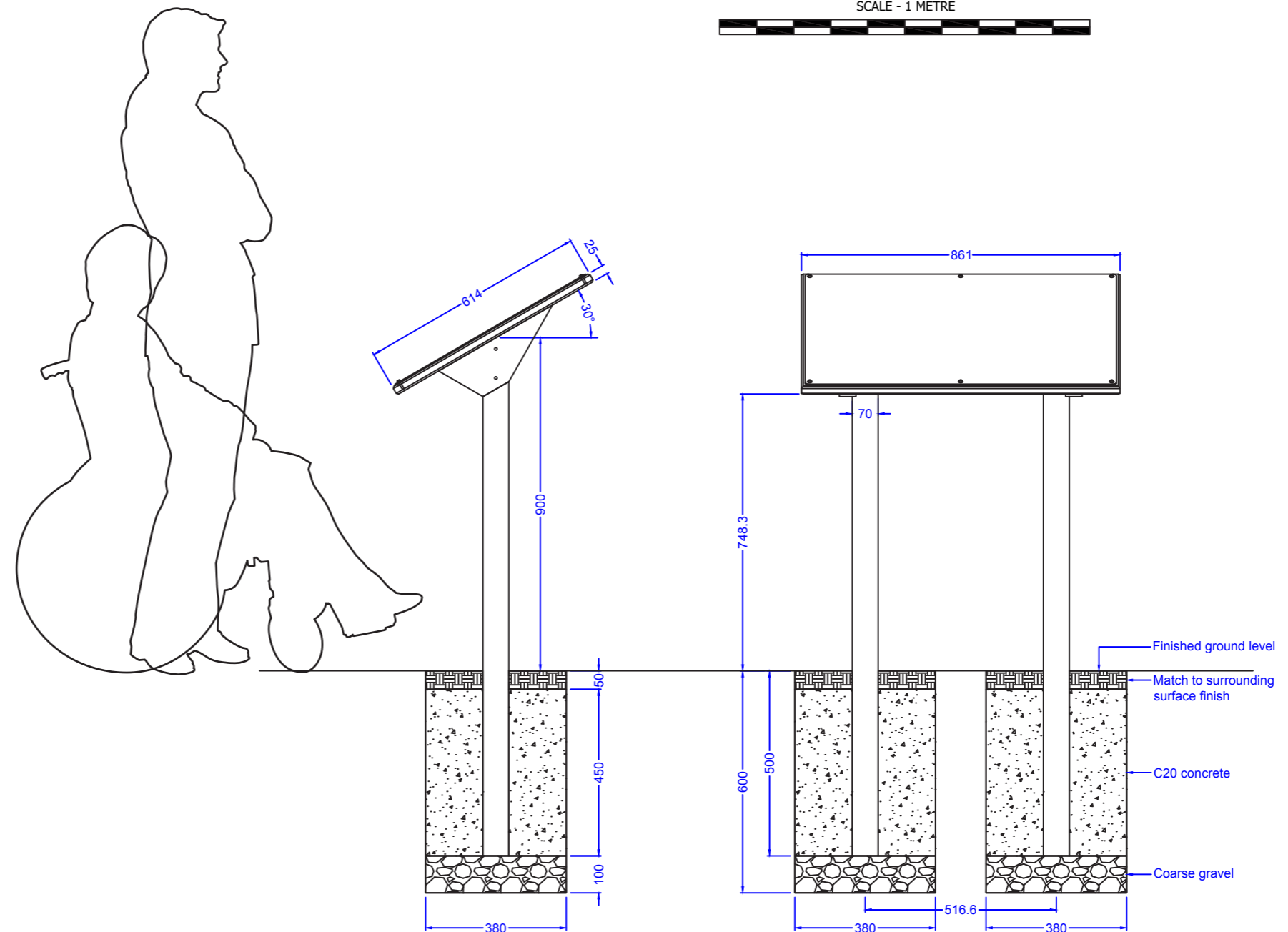
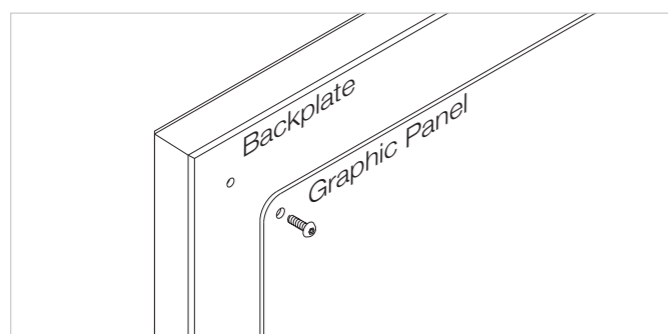
**Visible fixings:** Stainless steel security fixings to  
removable parts

**Capacity:** Will accommodate a 3mm thick  
printed graphic panel

**Weight:** 27kg

**Installation:** Posts extend 500mm below  
ground level

**Guarantee:** One year manufacturer's warranty



Note: All dimensions are indicative only. Footing details are subject to soil conditions and structural engineers recommendations.

Specification applies to the standard product. Our range of options usually allow us to accommodate any differences you may require. Please contact us and we will be happy to support you in developing this specification to meet your requirements.

Option delete/ update as appropriate

**Manufacturer:** Fitzpatrick Woolmer,  
Unit 7 Lakeside Park, Neptune Close,  
Rochester, Kent, ME2 4LT.

**Tel:** 01634 711 771

**Email:** info@fwdp.co.uk

**Timber:** FSC Prime Grade to BS EN 975-1

**Species:** Oak

**Origin:** France

**Moisture content on delivery:** 10% - 20%

**Certification:** FSC chain of custody

**Finish:** Sadolin Classic wood preservative,  
solvent based, matt

**Colour:** Light Oak

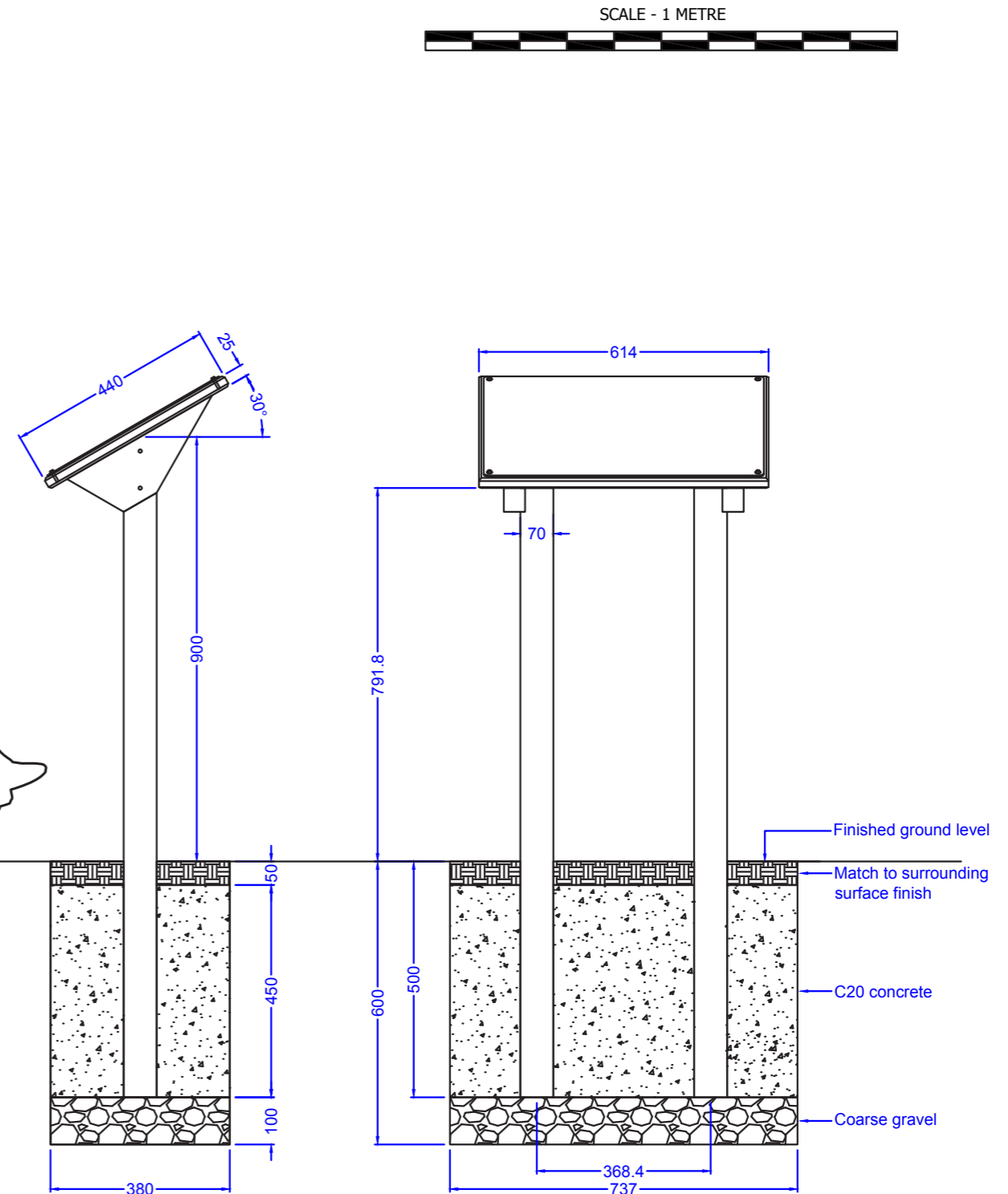
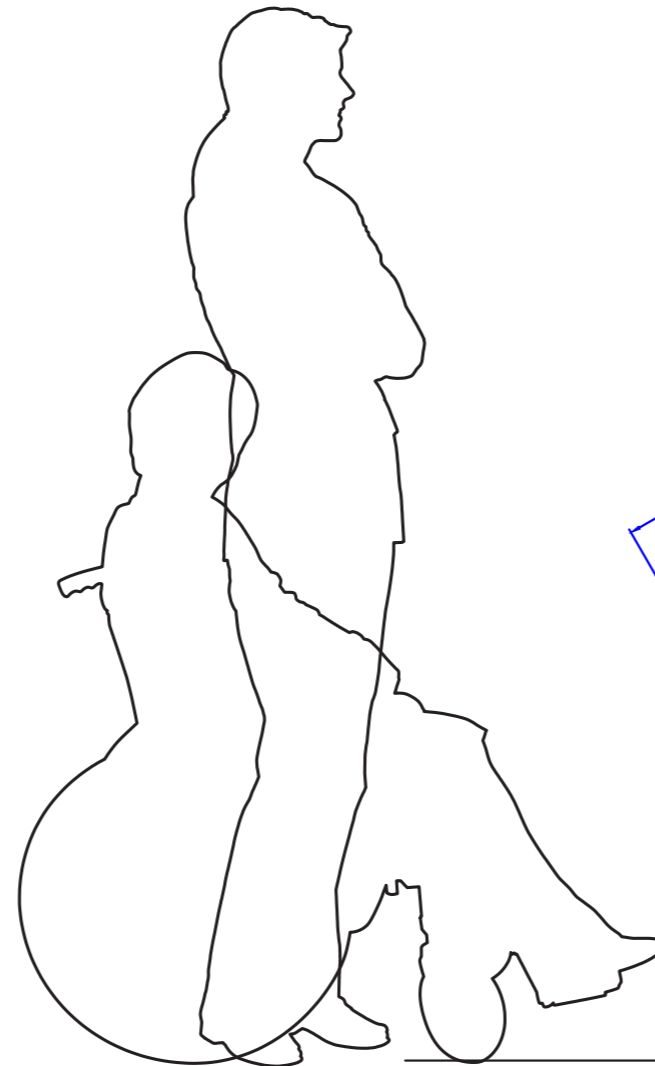
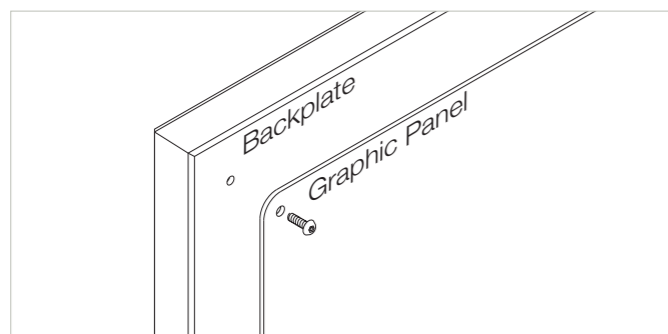
**Visible fixings:** Stainless steel security fixings to  
removable parts

**Capacity:** Will accommodate a 3mm thick  
printed graphic panel

**Weight:** 19kg

**Installation:** Posts extend 500mm below  
ground level

**Guarantee:** One year manufacturer's warranty



Note: All dimensions are indicative only. Footing details are subject to soil conditions and structural engineers recommendations.

Specification applies to the standard product. Our range of options usually allow us to accommodate any differences you may require. Please contact us and we will be happy to support you in developing this specification to meet your requirements.

Option delete/ update as appropriate

**Manufacturer:** Fitzpatrick Woolmer,  
Unit 7 Lakeside Park, Neptune Close,  
Rochester, Kent, ME2 4LT.

**Tel:** 01634 711 771

**Email:** info@fwdp.co.uk

**Timber:** FSC Prime Grade to BS EN 975-1

**Species:** Oak

**Origin:** France

**Moisture content on delivery:** 10% - 20%

**Certification:** FSC chain of custody

**Finish:** Sadolin Classic wood preservative,  
solvent based, matt

**Colour:** Light Oak

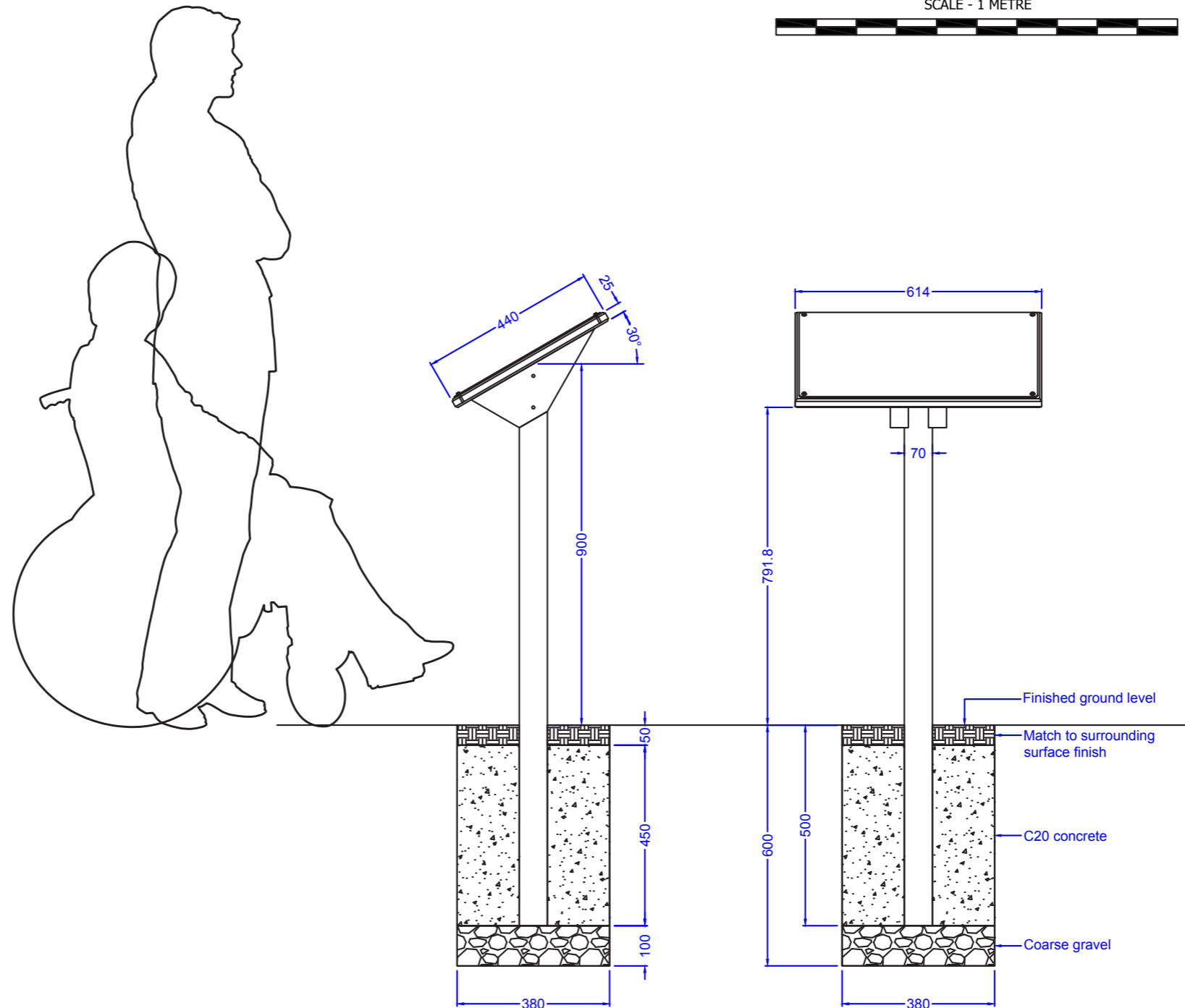
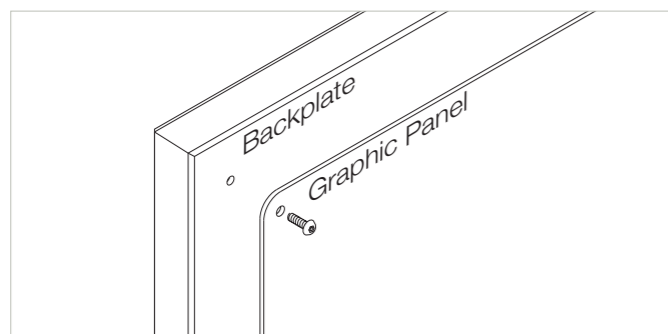
**Visible fixings:** Stainless steel security fixings to  
removable parts

**Capacity:** Will accommodate a 3mm thick  
printed graphic panel

**Weight:** 15kg

**Installation:** Posts extend 500mm below  
ground level

**Guarantee:** One year manufacturer's warranty



Note: All dimensions are indicative only. Footing details are subject to soil conditions and structural engineers recommendations.

Specification applies to the standard product. Our range of options usually allow us to accommodate any differences you may require. Please contact us and we will be happy to support you in developing this specification to meet your requirements.

Option delete/ update as appropriate

**Manufacturer:** Fitzpatrick Woolmer,  
Unit 7 Lakeside Park, Neptune Close,  
Rochester, Kent, ME2 4LT.

**Tel:** 01634 711 771

**Email:** info@fwdp.co.uk

**Timber:** FSC Prime Grade to BS EN 975-1

**Species:** Oak

**Origin:** France

**Moisture content on delivery:** 10% - 20%

**Certification:** FSC chain of custody

**Finish:** Sadolin Classic wood preservative,  
solvent based, matt

**Colour:** Light Oak

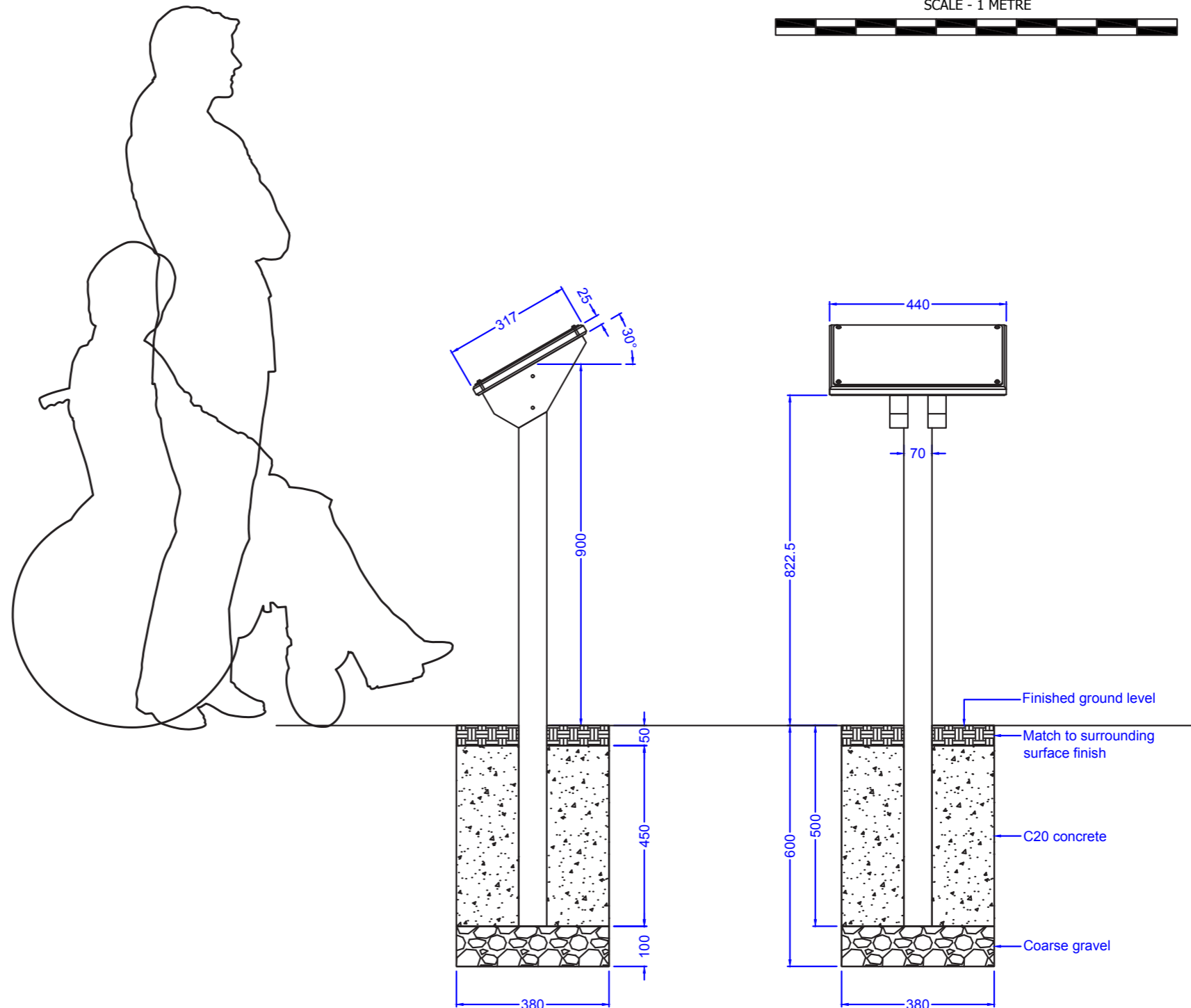
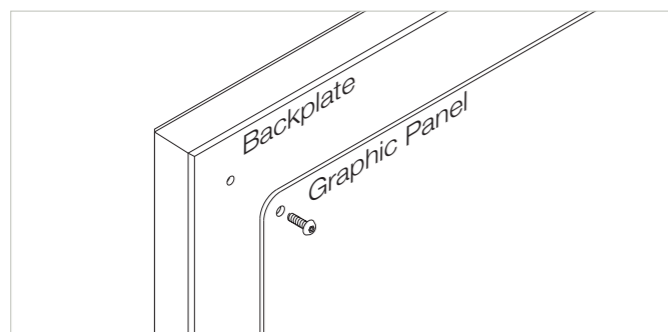
**Visible fixings:** Stainless steel security fixings to  
removable parts

**Capacity:** Will accommodate a 3mm thick  
printed graphic panel

**Weight:** 12kg

**Installation:** Posts extend 500mm below  
ground level

**Guarantee:** One year manufacturer's warranty



Note: All dimensions are indicative only. Footing details are subject to soil conditions and structural engineers recommendations.

Specification applies to the standard product. Our range of options usually allow us to accommodate any differences you may require. Please contact us and we will be happy to support you in developing this specification to meet your requirements.

Option delete/ update as appropriate

**Manufacturer:** Fitzpatrick Woolmer,  
 Unit 7 Lakeside Park, Neptune Close,  
 Rochester, Kent, ME2 4LT.  
**Tel:** 01634 711 771  
**Email:** info@fwdp.co.uk

**Timber:** FSC Prime Grade to BS EN 975-1

**Species:** Oak

**Origin:** France

**Moisture content on delivery:** 10% - 20%

**Certification:** FSC chain of custody

**Finish:** Sadolin Classic wood preservative,  
 solvent based, matt

**Colour:** Light Oak

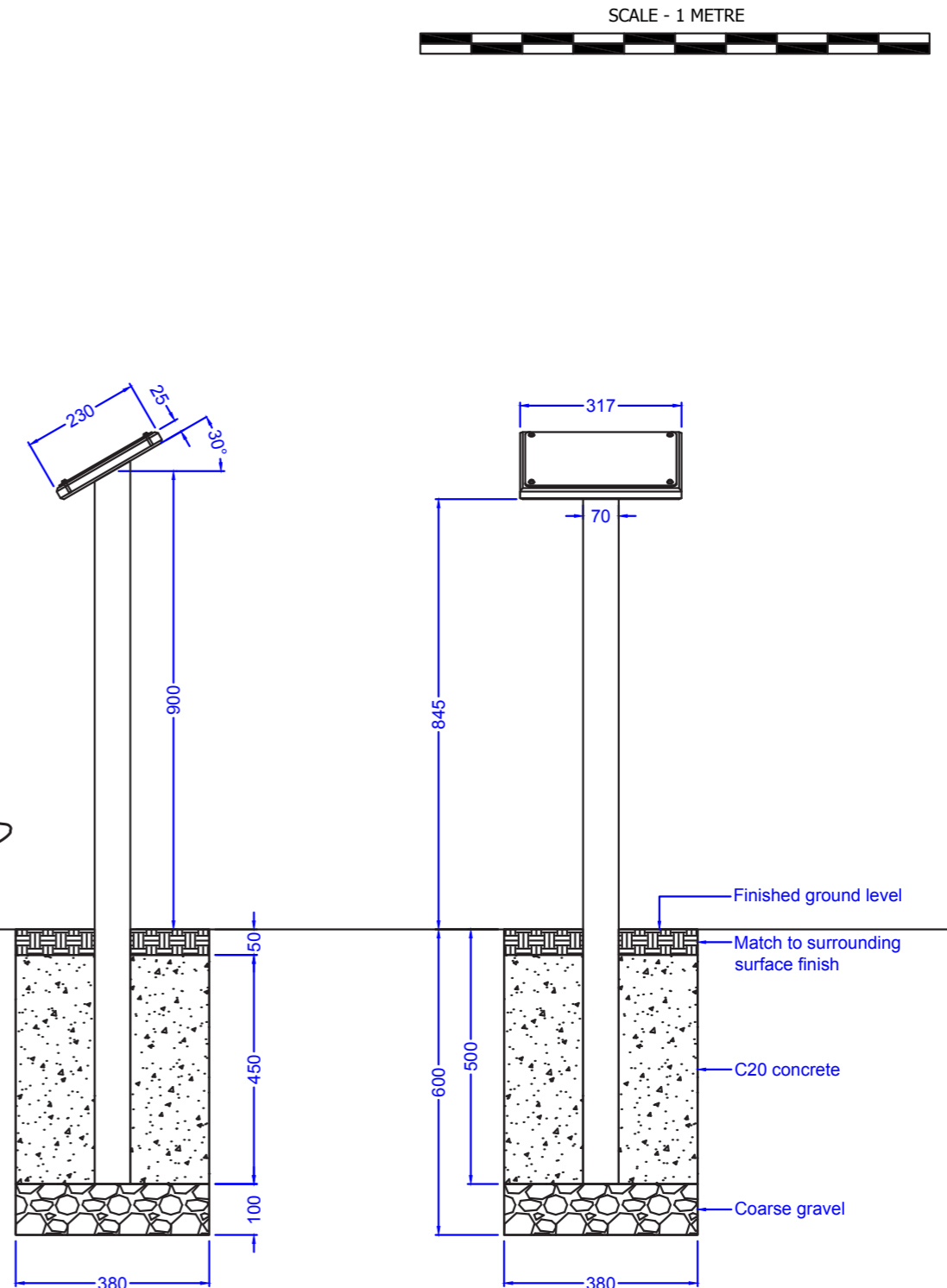
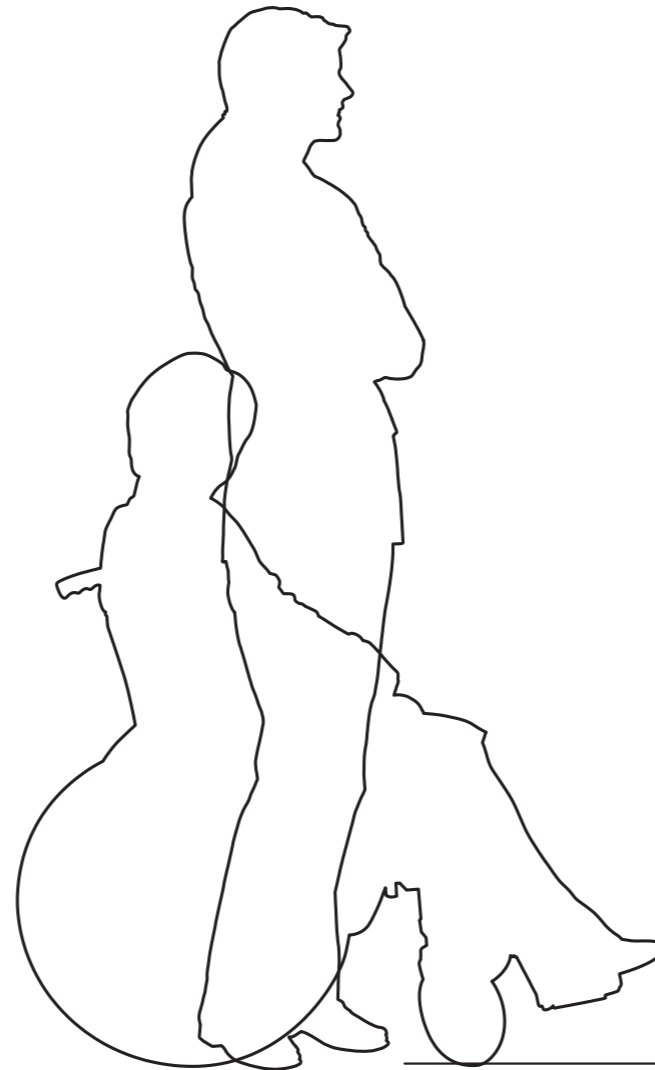
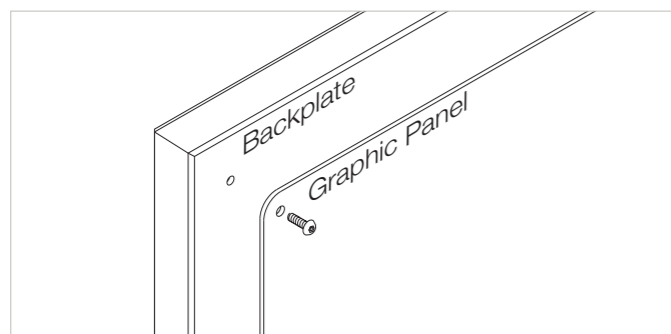
**Visible fixings:** Stainless steel security fixings to  
 removable parts

**Capacity:** Will accommodate a 3mm thick  
 printed graphic panel

**Weight:** 9kg

**Installation:** Posts extend 500mm below  
 ground level

**Guarantee:** One year manufacturer's warranty



Note: All dimensions are indicative only. Footing details are subject to soil conditions and structural engineers recommendations.