



Fusilier™ Combination Display

Our **Fusilier™ Combination Display** offers a cost-effective solution for clear and practical public communication. Made from robust stainless steel, it combines a secure, lockable notice board for regularly updated posters and flyers with a permanent display panel for maps, interpretation, or visitor information.

Designed with a simpler, more functional style than our premium models, it delivers durability and weather resistance at an affordable price. Ideal for community spaces, parks, and everyday use, our Fusilier™ Combination Display is practical, reliable, and easy to maintain.

Product features

- * Stainless steel construction
- * Can be supplied with or without a header board
- * Removable graphic panel
- * Robust stainless steel locks
- * Tough 4mm clear polycarbonate window
- * Vent holes to minimise condensation
- * Powdercoat finish to standard colour
- * Standard sizes A2 and A1 notice board
- * 1 year manufacturer's warranty

Fitzpatrick Woolmer Design & Publishing Limited

Unit 7 Lakeside Park, Neptune Close, Rochester, Kent, ME2 4LT
t: 01634 711 771 e: info@fwdp.co.uk w: fwdp.co.uk



By Appointment to His Majesty The King
Manufacturer of Signs and Wayfinding
Fitzpatrick Woolmer Design & Publishing Ltd, Kent

Specification applies to the standard product. Our range of options usually allow us to accommodate any differences you may require. Please contact us and we will be happy to support you in developing this specification to meet your requirements.

Option delete/ update as appropriate

Manufacturer: Fitzpatrick Woolmer,
Unit 7 Lakeside Park, Neptune Close,
Rochester, Kent, ME2 4LT.

Tel: 01634 711 771

Email: info@fwdp.co.uk

Metal: Stainless steel

Grade: 304

Metal: Aluminium

Grade: 1050

Finish: Powdercoat to BS EN 12206:2021 Part 1

Colour: RAL 9005 Black

Fixings: Stainless steel

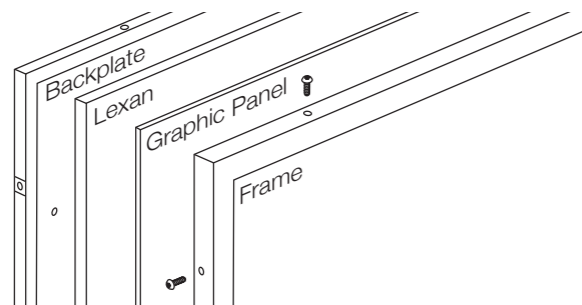
Type: Security

Capacity: Will accommodate a 3mm thick printed graphic panel

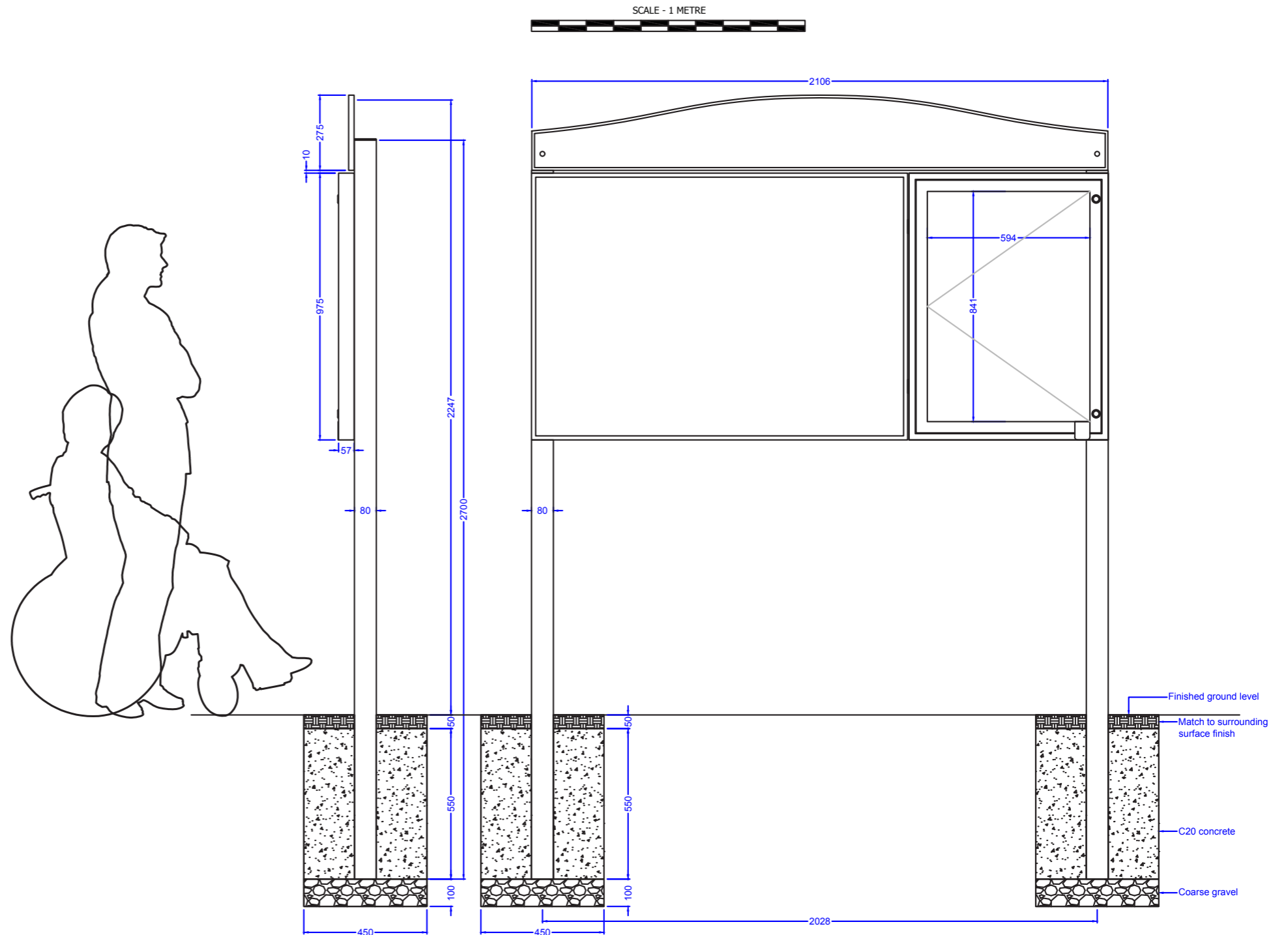
Weight: 105kg

Installation: Posts extend 600mm below ground level

Guarantee: One year manufacturer's warranty



Standard frame assembly



Note: All dimensions are indicative only. Footing details are subject to soil conditions and structural engineers recommendations.

Specification applies to the standard product. Our range of options usually allow us to accommodate any differences you may require. Please contact us and we will be happy to support you in developing this specification to meet your requirements.

Option delete/ update as appropriate

Manufacturer: Fitzpatrick Woolmer,
Unit 7 Lakeside Park, Neptune Close,
Rochester, Kent, ME2 4LT.

Tel: 01634 711 771

Email: info@fwdp.co.uk

Metal: Stainless steel

Grade: 304

Finish: Powdercoat to BS EN 12206:2021 Part 1

Colour: RAL 9005 Black

Fixings: Stainless steel

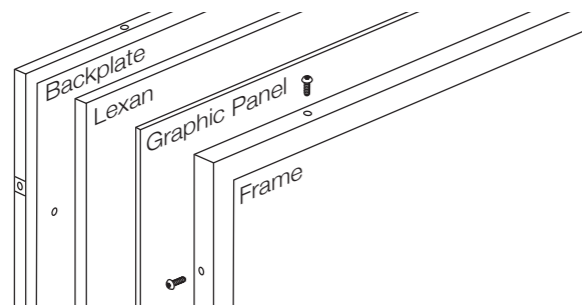
Type: Security

Capacity: Will accommodate a 3mm thick printed graphic panel

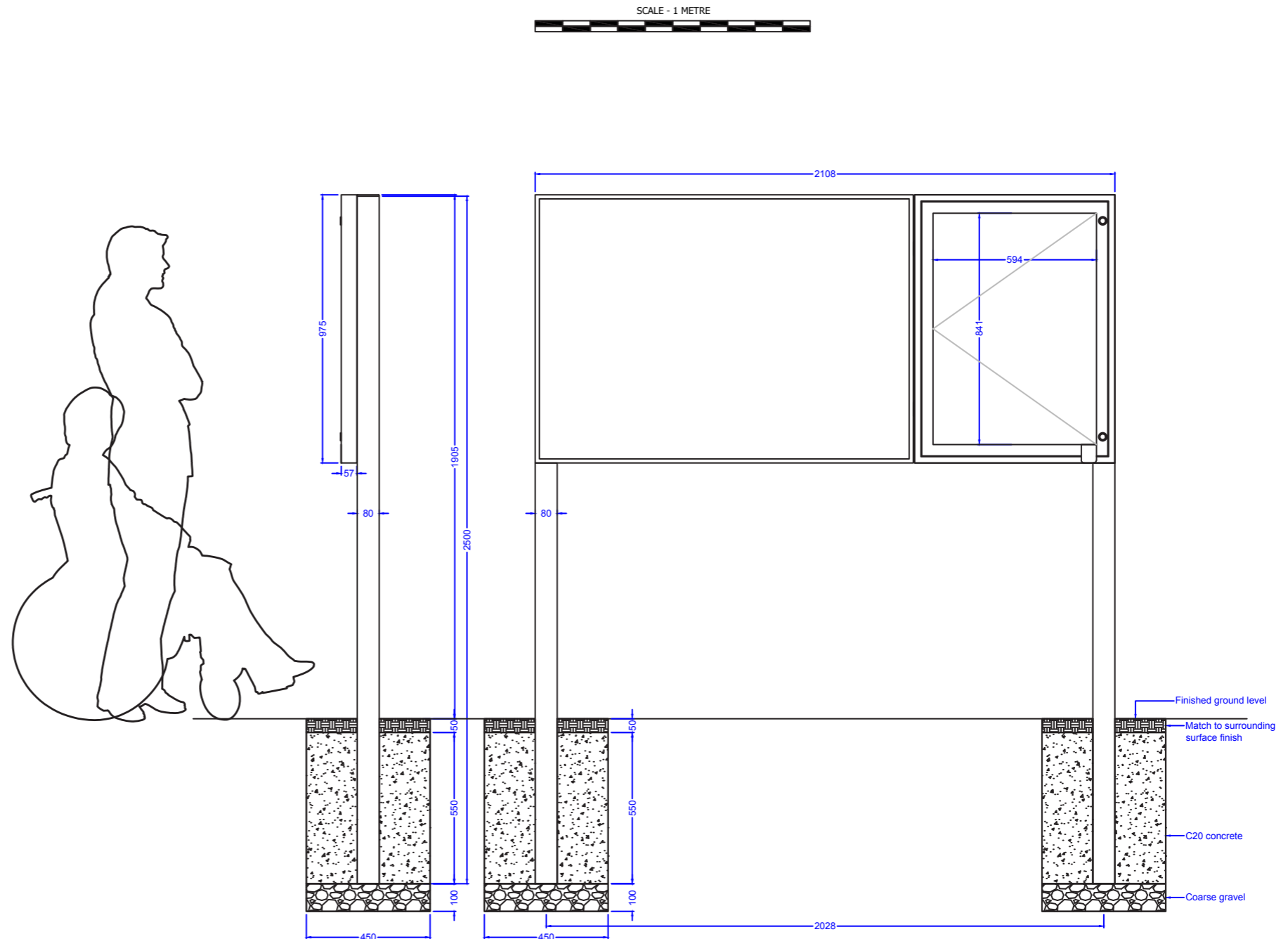
Weight: 80kg

Installation: Posts extend 600mm below ground level

Guarantee: One year manufacturer's warranty



Standard frame assembly



Note: All dimensions are indicative only. Footing details are subject to soil conditions and structural engineers recommendations.

Specification applies to the standard product. Our range of options usually allow us to accommodate any differences you may require. Please contact us and we will be happy to support you in developing this specification to meet your requirements.

Option delete/ update as appropriate

Manufacturer: Fitzpatrick Woolmer,
Unit 7 Lakeside Park, Neptune Close,
Rochester, Kent, ME2 4LT.

Tel: 01634 711 771

Email: info@fwdp.co.uk

Metal: Stainless steel

Grade: 304

Finish: Powdercoat to BS EN 12206:2021 Part 1

Colour: RAL 9005 Black

Fixings: Stainless steel

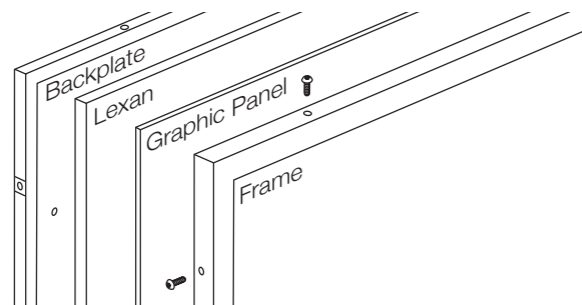
Type: Security

Capacity: Will accommodate a 3mm thick printed graphic panel

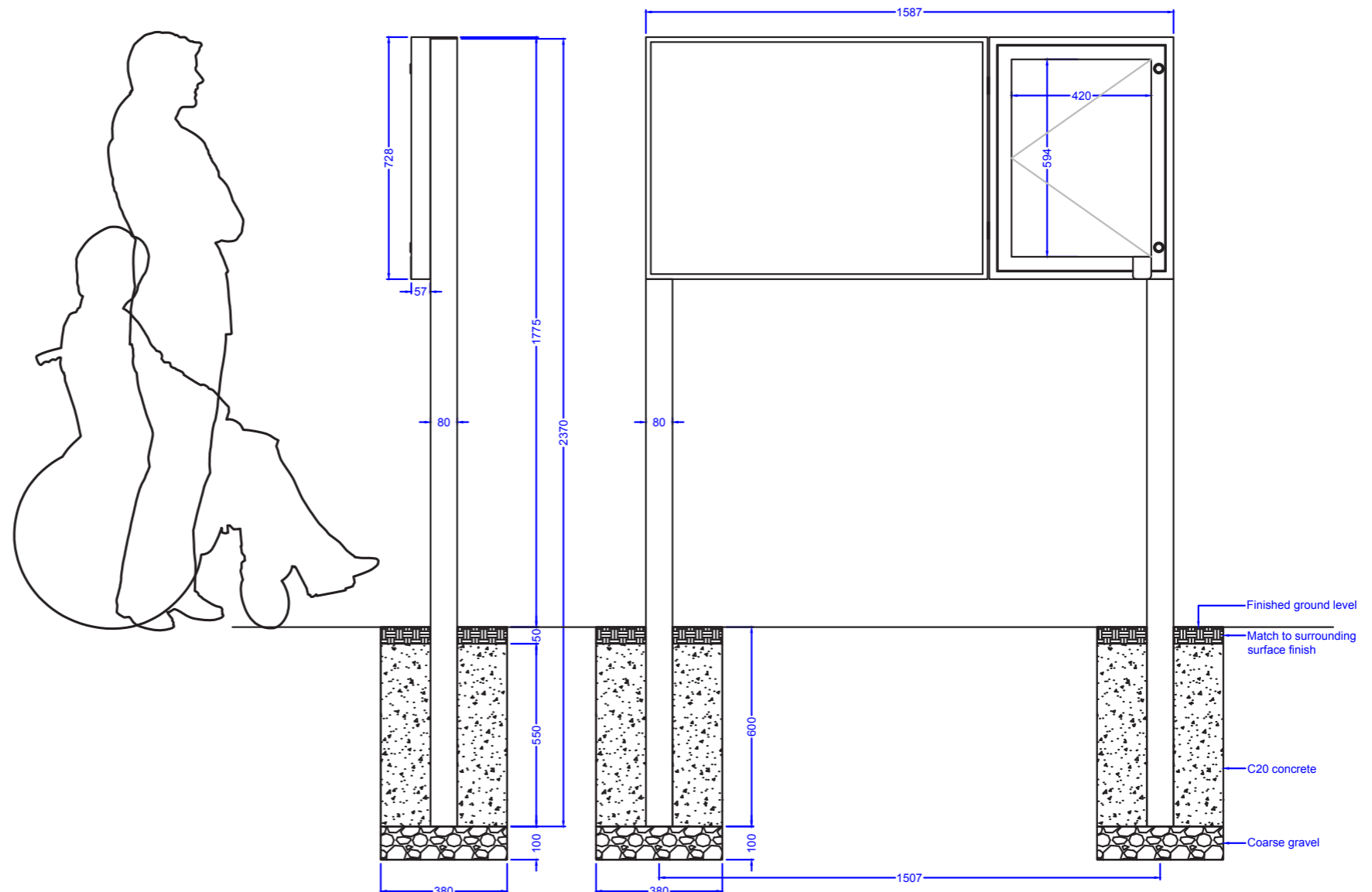
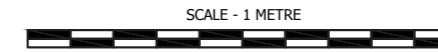
Weight: 60kg

Installation: Posts extend 600mm below ground level

Guarantee: One year manufacturer's warranty



Standard frame assembly



Note: All dimensions are indicative only. Footing details are subject to soil conditions and structural engineers recommendations.