



**Fitzpatrick  
Woolmer**

## Musketeer™ - Recycled Plastic

Our **Musketeer™** recycled plastic lectern displays are made from 100% recycled UK plastic waste. They offer an eco-friendly interpretation display solution that requires minimal maintenance and will never rot or degrade.

Interpretation panels are presented at a low angle, ideal for children and wheelchair users or in areas where space is limited. Twin leg and single leg lecterns are available in a range of sizes to accommodate larger and smaller interpretation boards.

### Product features

- \* Wood effect recycled plastic construction
- \* 100% recyclable
- \* No maintenance required
- \* Tamper resistant fixings
- \* Removable graphic panel
- \* Easy access for children and wheelchair users
- \* Cedar effect finish
- \* Standard sizes A3, A2, A1 and A0
- \* Standard panoramic sizes 900mm x 300mm, 1200mm x 400mm and 1500mm 500mm
- \* 1 year manufacturer's warranty

**Fitzpatrick Woolmer Design & Publishing Limited**

Unit 7 Lakeside Park, Neptune Close, Rochester, Kent, ME2 4LT  
t: 01634 711 771 e: info@fwdp.co.uk w: fwdp.co.uk



By Appointment to His Majesty The King  
Manufacturer of Signs and Wayfinding  
Fitzpatrick Woolmer Design & Publishing Ltd, Kent

Specification applies to the standard product. Our range of options usually allow us to accommodate any differences you may require. Please contact us and we will be happy to support you in developing this specification to meet your requirements.

**Manufacturer:** Fitzpatrick Woolmer,  
Unit 7 Lakeside Park, Neptune Close,  
Rochester, Kent, ME2 4LT.  
**Tel:** 01634 711 771  
**Email:** info@fwdp.co.uk

**Material:** Polystyrene foam

**Origin:** UK

**Certification:** 100% recycled plastic waste

**Finish:** Cedar effect

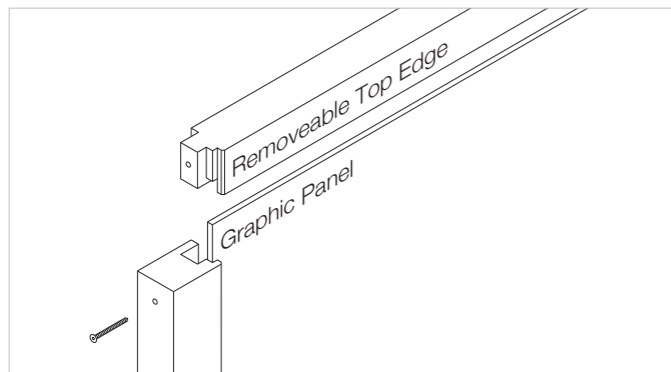
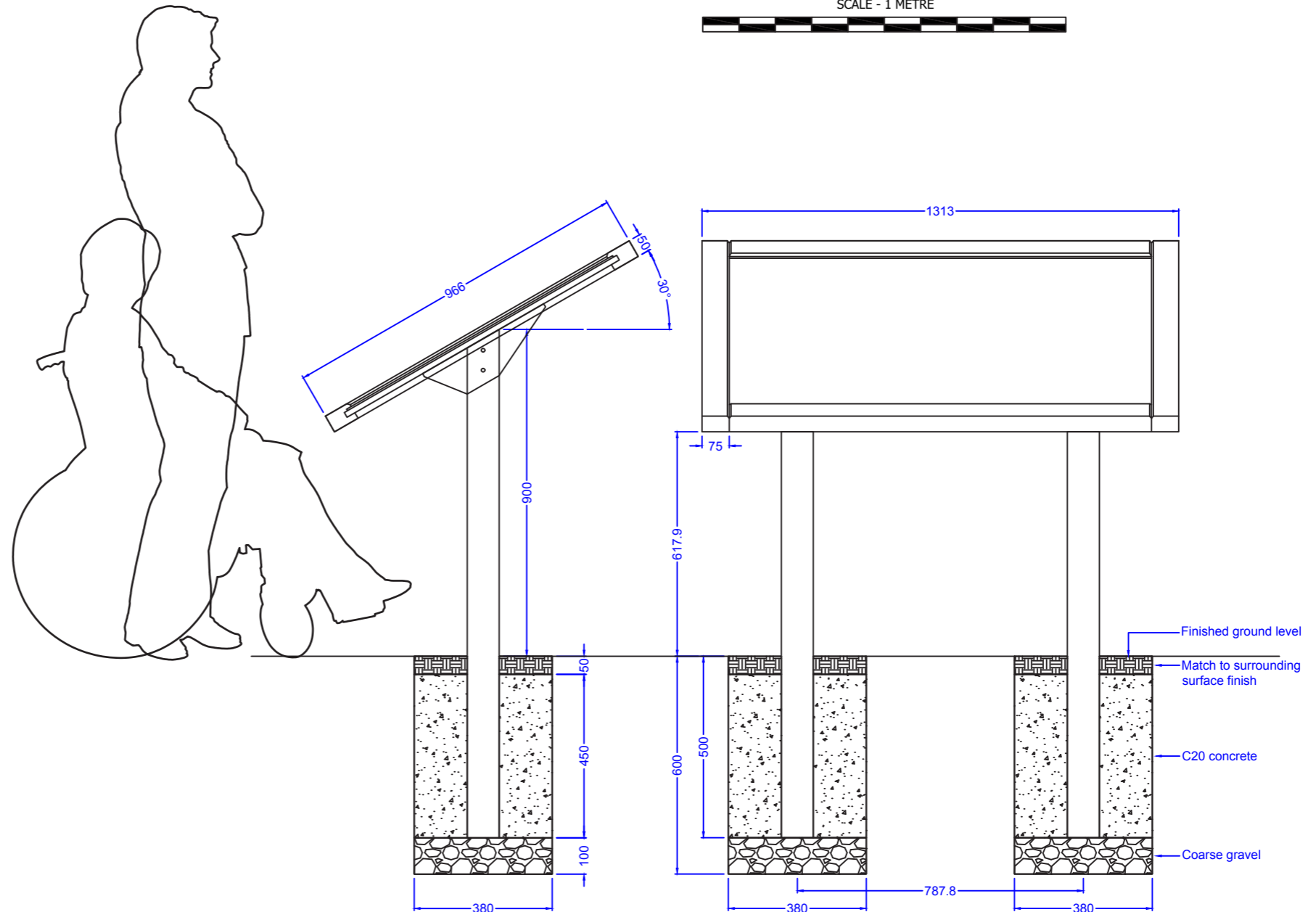
**Visible fixings:** Stainless steel security fixings to removable parts

**Capacity:** Will accommodate a 3mm thick printed graphic panel

**Weight:** 43kg

**Installation:** Posts extend 500mm below ground level

**Guarantee:** One year manufacturer's warranty



Standard frame assembly

Note: All dimensions are indicative only. Footing details are subject to soil conditions and structural engineers recommendations.

Specification applies to the standard product. Our range of options usually allow us to accommodate any differences you may require. Please contact us and we will be happy to support you in developing this specification to meet your requirements.

**Manufacturer:** Fitzpatrick Woolmer,  
 Unit 7 Lakeside Park, Neptune Close,  
 Rochester, Kent, ME2 4LT.  
**Tel:** 01634 711 771  
**Email:** info@fwdp.co.uk

**Material:** Polystyrene foam

**Origin:** UK

**Certification:** 100% recycled plastic waste

**Finish:** Cedar effect

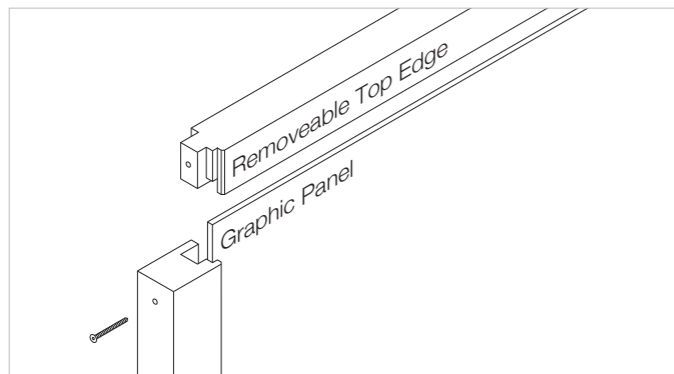
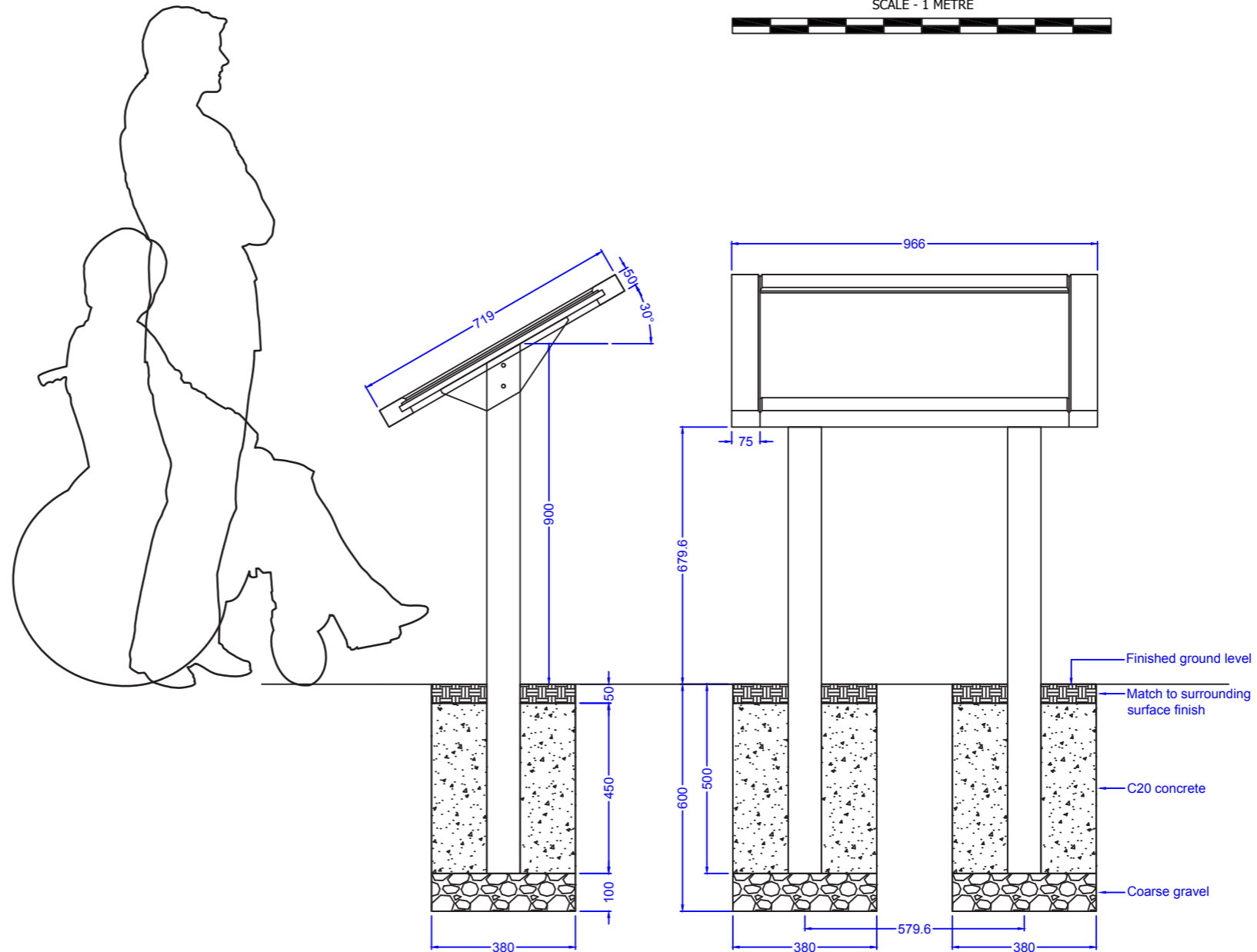
**Visible fixings:** Stainless steel security fixings to removable parts

**Capacity:** Will accommodate a 3mm thick printed graphic panel

**Weight:** 32kg

**Installation:** Posts extend 500mm below ground level

**Guarantee:** One year manufacturer's warranty



Standard frame assembly

Note: All dimensions are indicative only. Footing details are subject to soil conditions and structural engineers recommendations.

Specification applies to the standard product. Our range of options usually allow us to accommodate any differences you may require. Please contact us and we will be happy to support you in developing this specification to meet your requirements.

**Manufacturer:** Fitzpatrick Woolmer,  
 Unit 7 Lakeside Park, Neptune Close,  
 Rochester, Kent, ME2 4LT.  
**Tel:** 01634 711 771  
**Email:** info@fwdp.co.uk

**Material:** Polystyrene foam

**Origin:** UK

**Certification:** 100% recycled plastic waste

**Finish:** Cedar effect

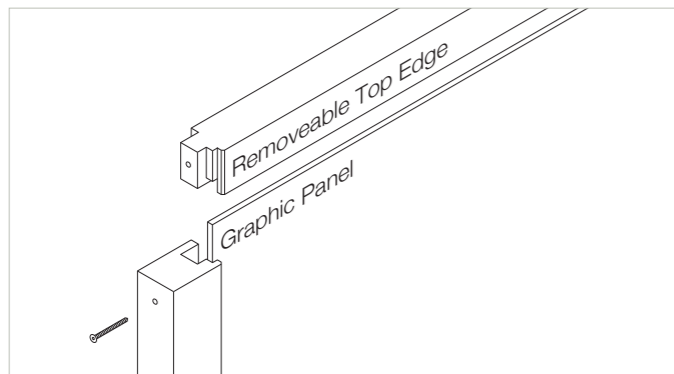
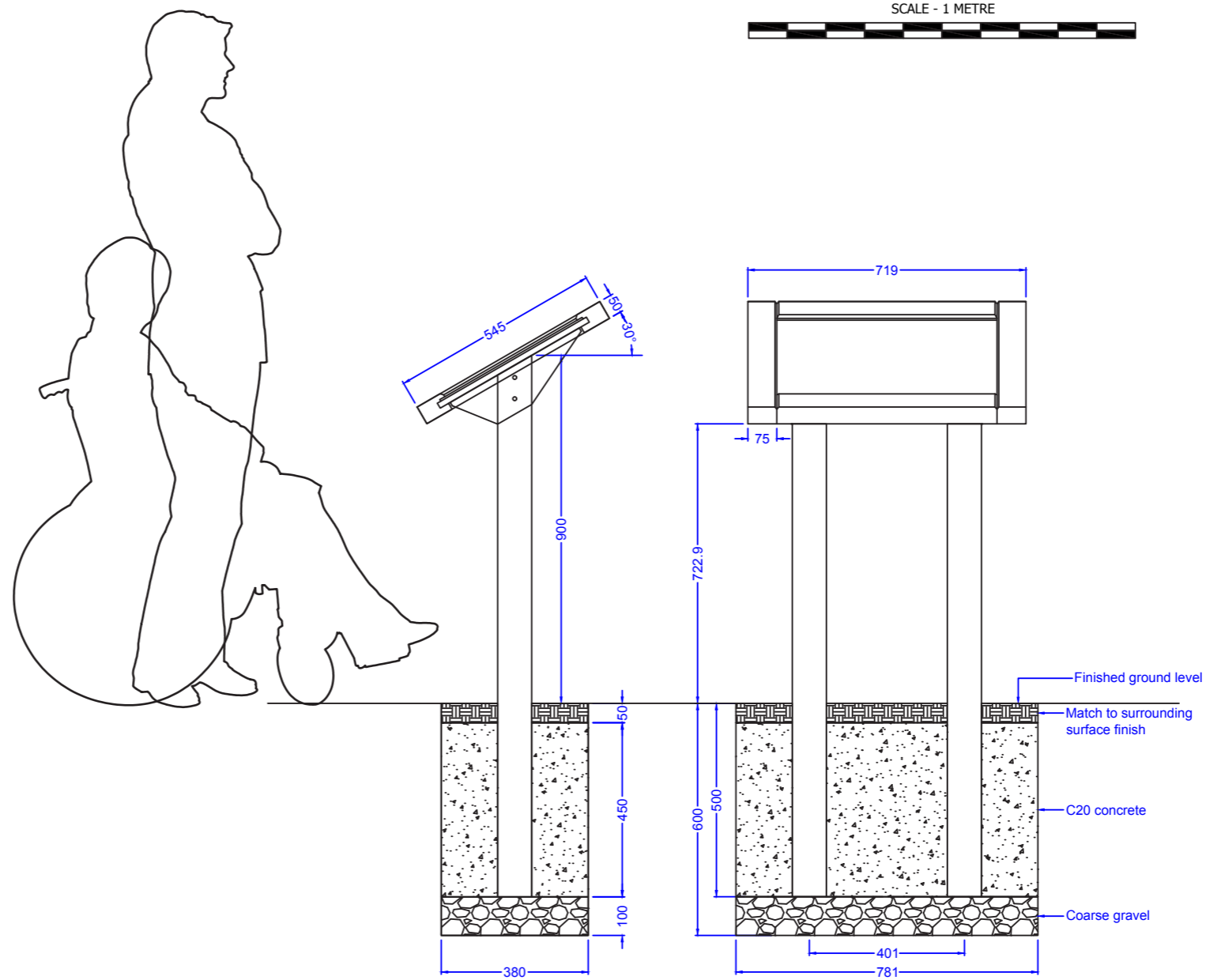
**Visible fixings:** Stainless steel security fixings to removable parts

**Capacity:** Will accommodate a 3mm thick printed graphic panel

**Weight:** 26kg

**Installation:** Posts extend 500mm below ground level

**Guarantee:** One year manufacturer's warranty



Standard frame assembly

Note: All dimensions are indicative only. Footing details are subject to soil conditions and structural engineers recommendations.

Specification applies to the standard product. Our range of options usually allow us to accommodate any differences you may require. Please contact us and we will be happy to support you in developing this specification to meet your requirements.

**Manufacturer:** Fitzpatrick Woolmer,  
Unit 7 Lakeside Park, Neptune Close,  
Rochester, Kent, ME2 4LT.  
**Tel:** 01634 711 771  
**Email:** info@fwdp.co.uk

**Material:** Polystyrene foam

**Origin:** UK

**Certification:** 100% recycled plastic waste

**Finish:** Cedar effect

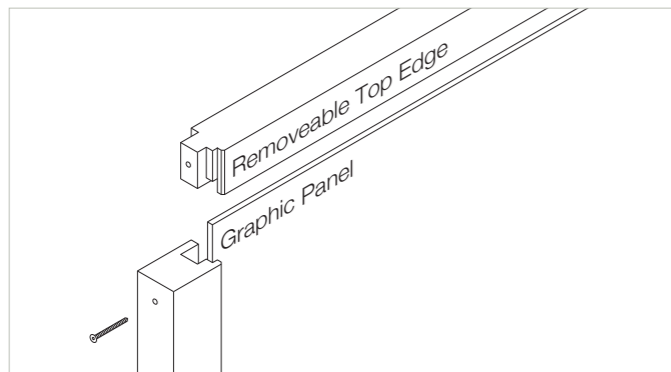
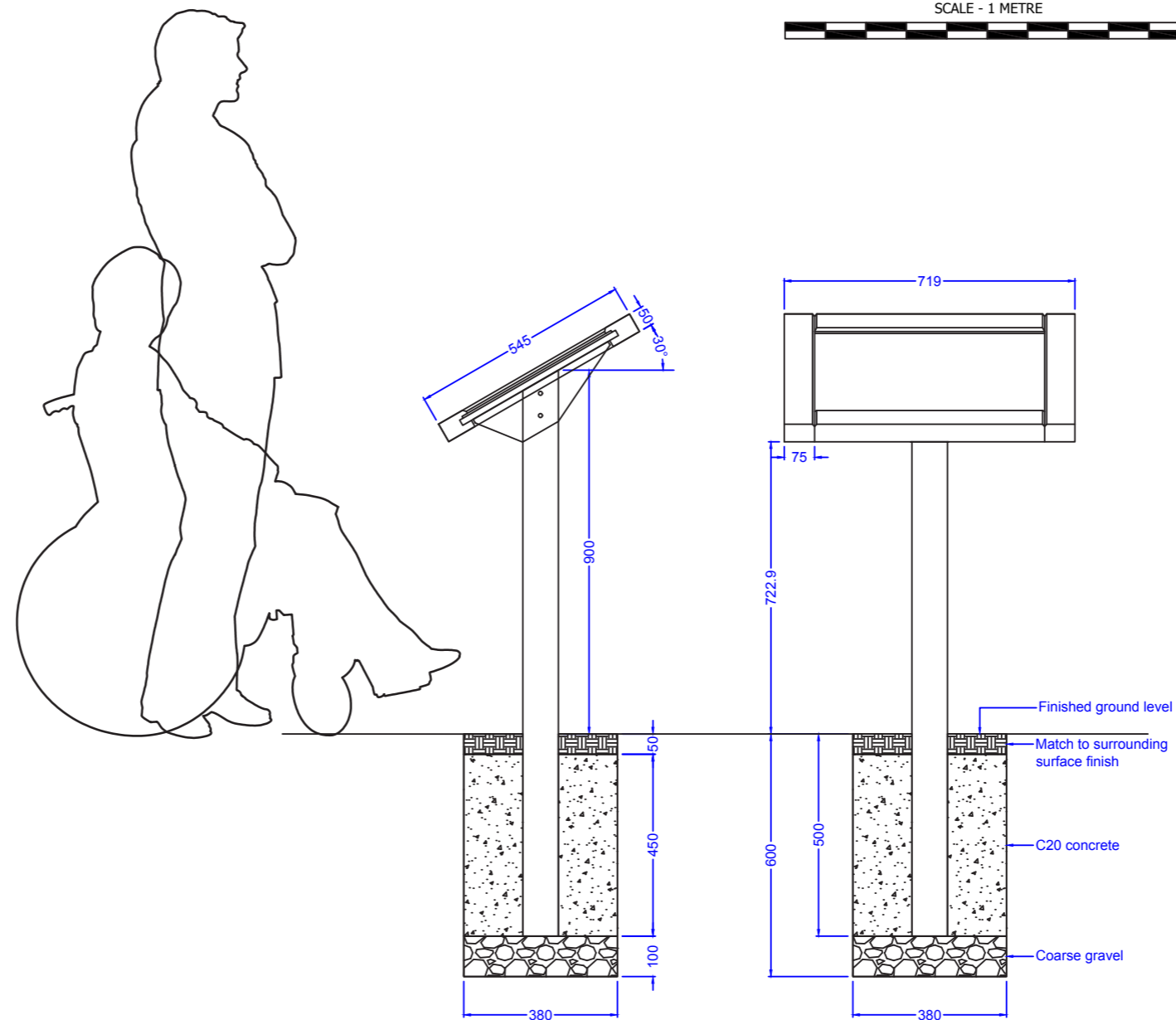
**Visible fixings:** Stainless steel security fixings to removable parts

**Capacity:** Will accommodate a 3mm thick printed graphic panel

**Weight:** 19kg

**Installation:** Posts extend 500mm below ground level

**Guarantee:** One year manufacturer's warranty



Standard frame assembly

Note: All dimensions are indicative only. Footing details are subject to soil conditions and structural engineers recommendations.

Specification applies to the standard product. Our range of options usually allow us to accommodate any differences you may require. Please contact us and we will be happy to support you in developing this specification to meet your requirements.

**Manufacturer:** Fitzpatrick Woolmer,  
Unit 7 Lakeside Park, Neptune Close,  
Rochester, Kent, ME2 4LT.  
**Tel:** 01634 711 771  
**Email:** info@fwdp.co.uk

**Material:** Polystyrene foam

**Origin:** UK

**Certification:** 100% recycled plastic waste

**Finish:** Cedar effect

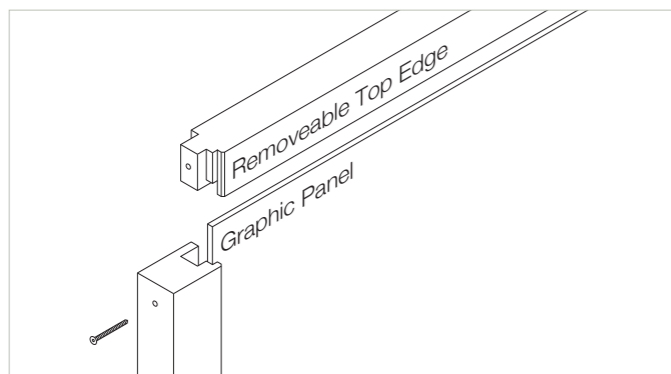
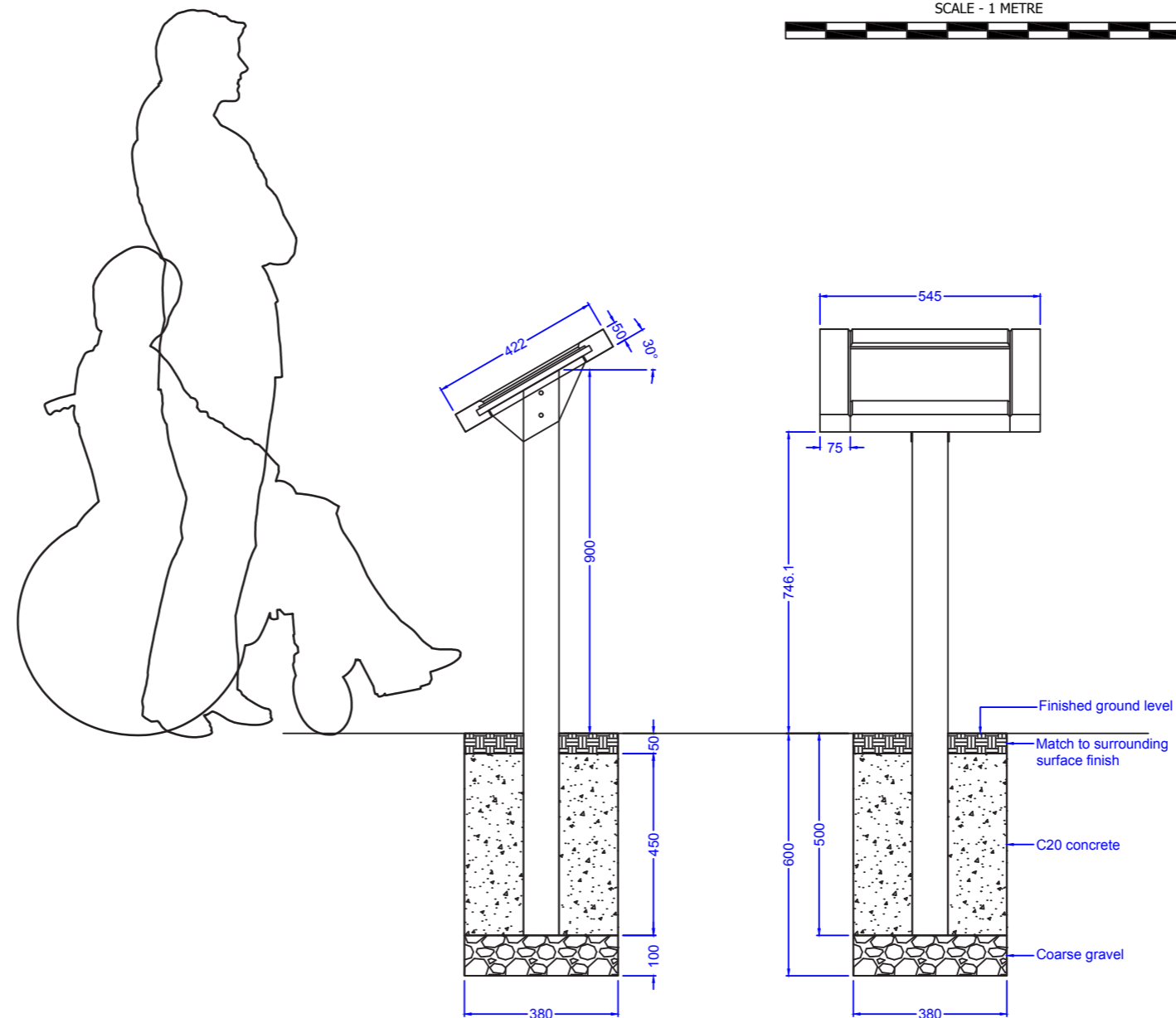
**Visible fixings:** Stainless steel security fixings to removable parts

**Capacity:** Will accommodate a 3mm thick printed graphic panel

**Weight:** 16kg

**Installation:** Posts extend 500mm below ground level

**Guarantee:** One year manufacturer's warranty



Standard frame assembly

Note: All dimensions are indicative only. Footing details are subject to soil conditions and structural engineers recommendations.

Specification applies to the standard product. Our range of options usually allow us to accommodate any differences you may require. Please contact us and we will be happy to support you in developing this specification to meet your requirements.

**Manufacturer:** Fitzpatrick Woolmer,  
Unit 7 Lakeside Park, Neptune Close,  
Rochester, Kent, ME2 4LT.  
**Tel:** 01634 711 771  
**Email:** info@fwdp.co.uk

**Material:** Polystyrene foam

**Origin:** UK

**Certification:** 100% recycled plastic waste

**Finish:** Cedar effect

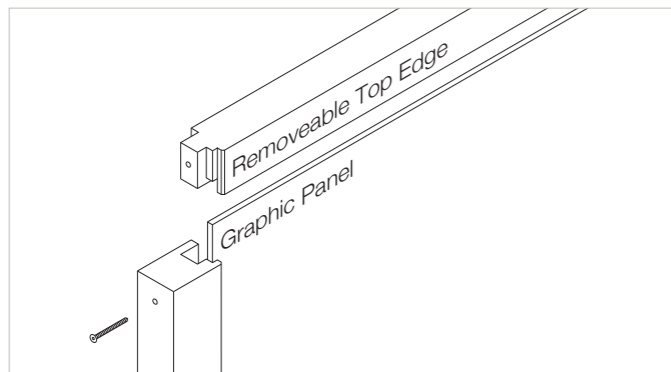
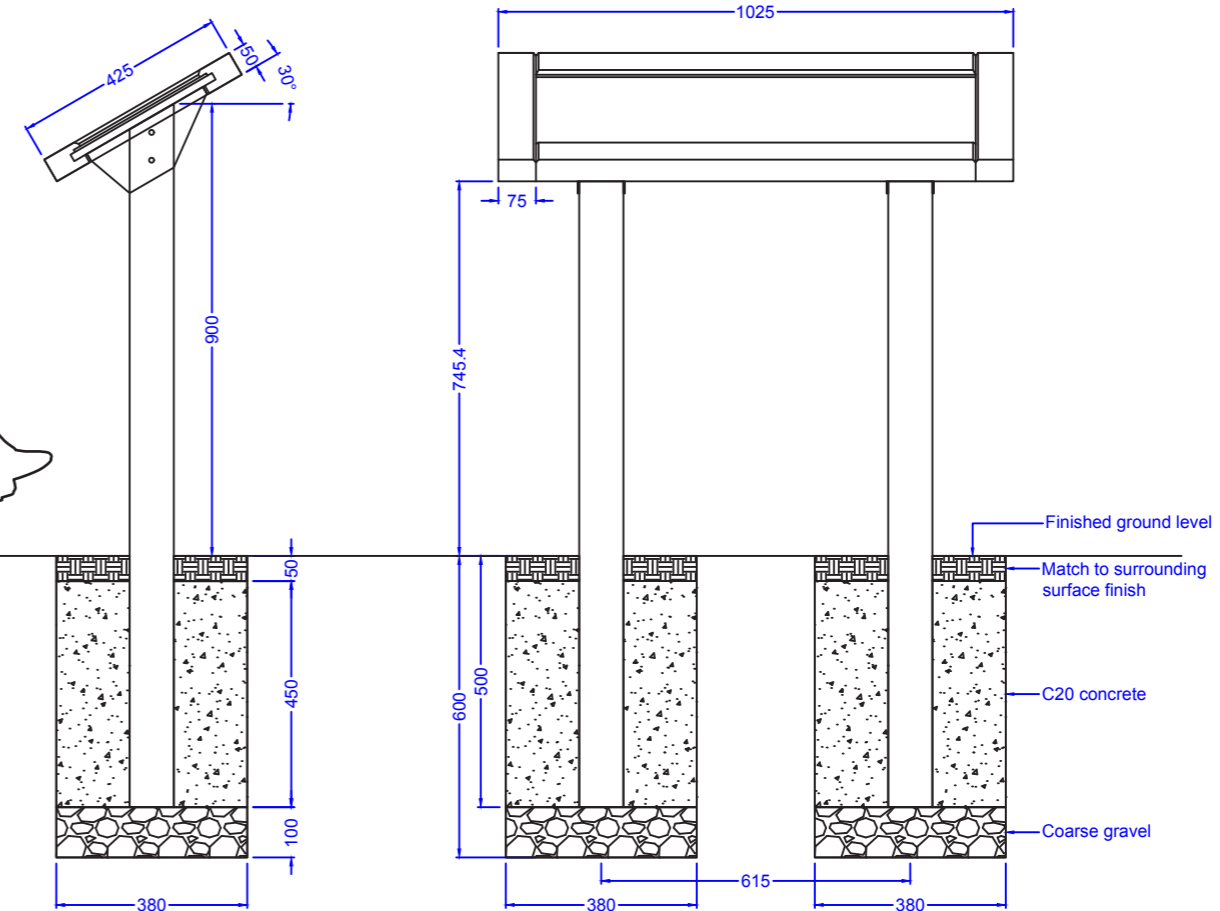
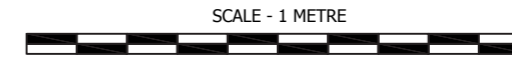
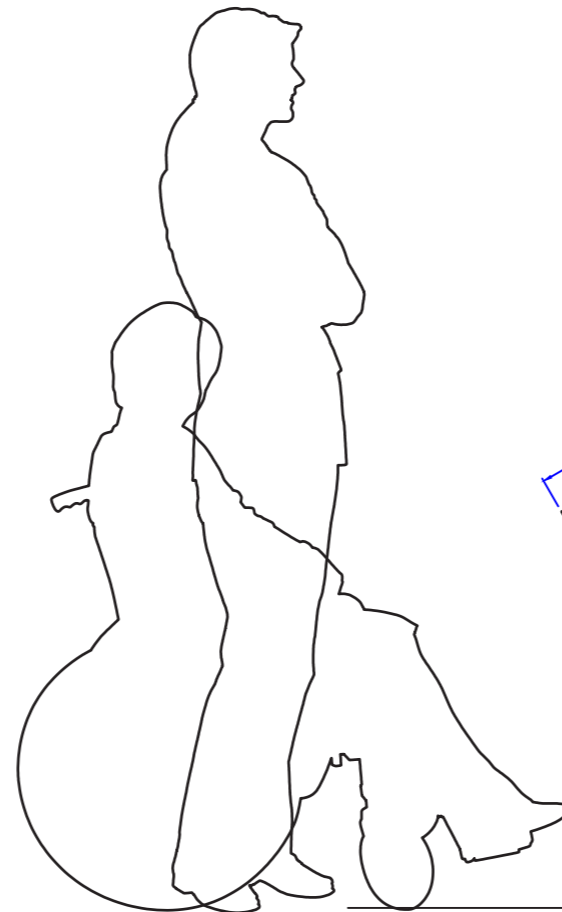
**Visible fixings:** Stainless steel security fixings to removable parts

**Capacity:** Will accommodate a 3mm thick printed graphic panel

**Weight:** 25kg

**Installation:** Posts extend 500mm below ground level

**Guarantee:** One year manufacturer's warranty



Standard frame assembly

Note: All dimensions are indicative only. Footing details are subject to soil conditions and structural engineers recommendations.

Specification applies to the standard product. Our range of options usually allow us to accommodate any differences you may require. Please contact us and we will be happy to support you in developing this specification to meet your requirements.

**Manufacturer:** Fitzpatrick Woolmer,  
Unit 7 Lakeside Park, Neptune Close,  
Rochester, Kent, ME2 4LT.  
**Tel:** 01634 711 771  
**Email:** info@fwdp.co.uk

**Material:** Polystyrene foam

**Origin:** UK

**Certification:** 100% recycled plastic waste

**Finish:** Cedar effect

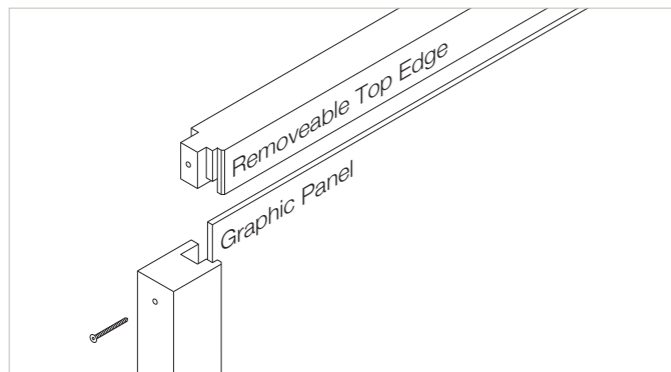
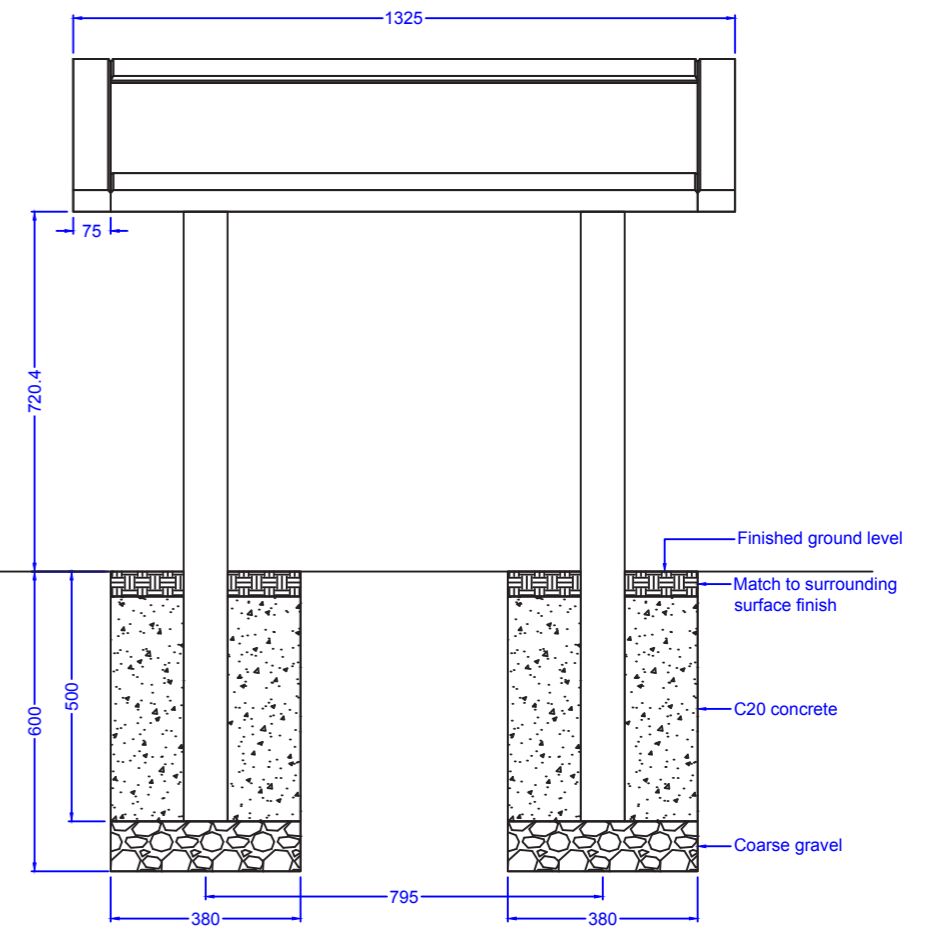
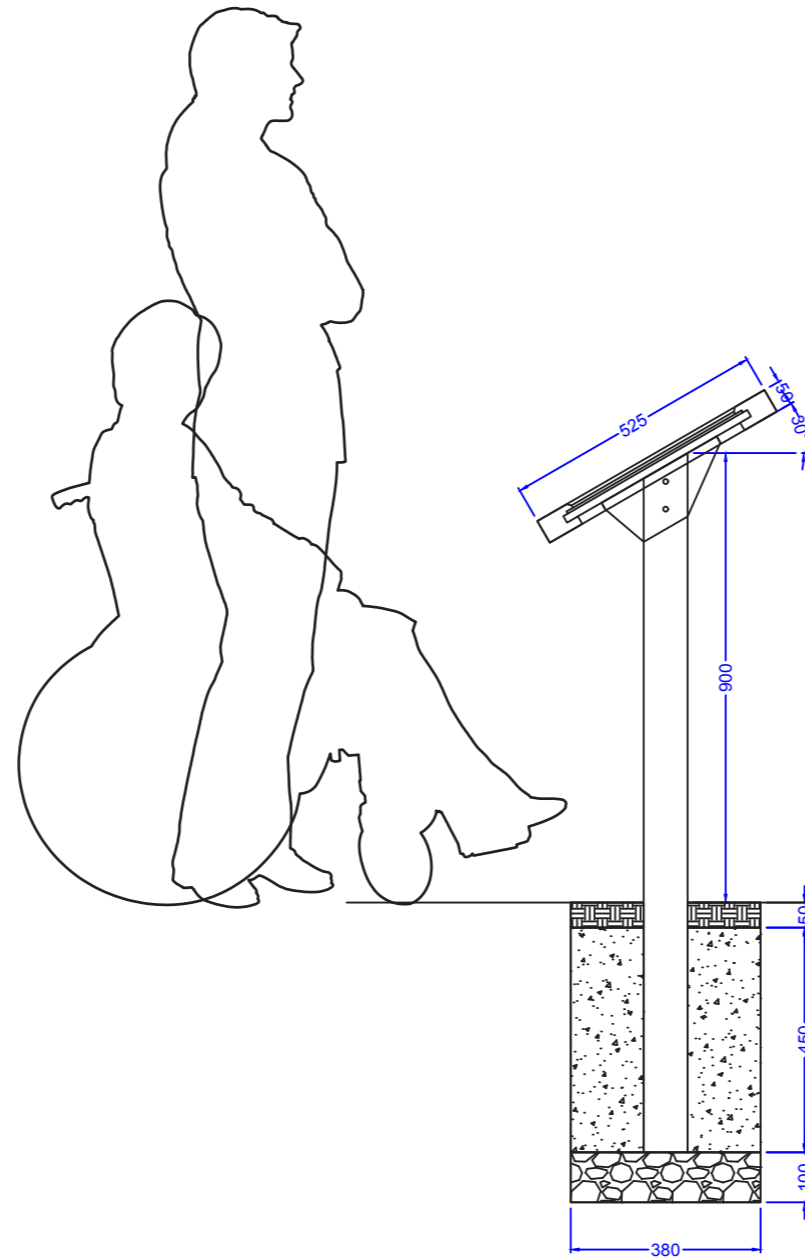
**Visible fixings:** Stainless steel security fixings to removable parts

**Capacity:** Will accommodate a 3mm thick printed graphic panel

**Weight:** 32kg

**Installation:** Posts extend 500mm below ground level

**Guarantee:** One year manufacturer's warranty



Standard frame assembly

Note: All dimensions are indicative only. Footing details are subject to soil conditions and structural engineers recommendations.

Specification applies to the standard product. Our range of options usually allow us to accommodate any differences you may require. Please contact us and we will be happy to support you in developing this specification to meet your requirements.

**Manufacturer:** Fitzpatrick Woolmer,  
Unit 7 Lakeside Park, Neptune Close,  
Rochester, Kent, ME2 4LT.  
**Tel:** 01634 711 771  
**Email:** info@fwdp.co.uk

**Material:** Polystyrene foam

**Origin:** UK

**Certification:** 100% recycled plastic waste

**Finish:** Cedar effect

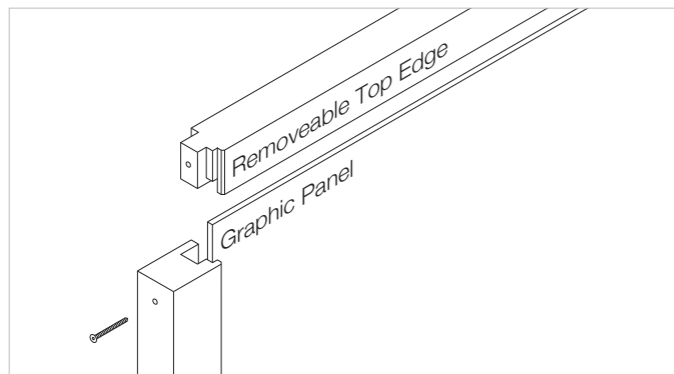
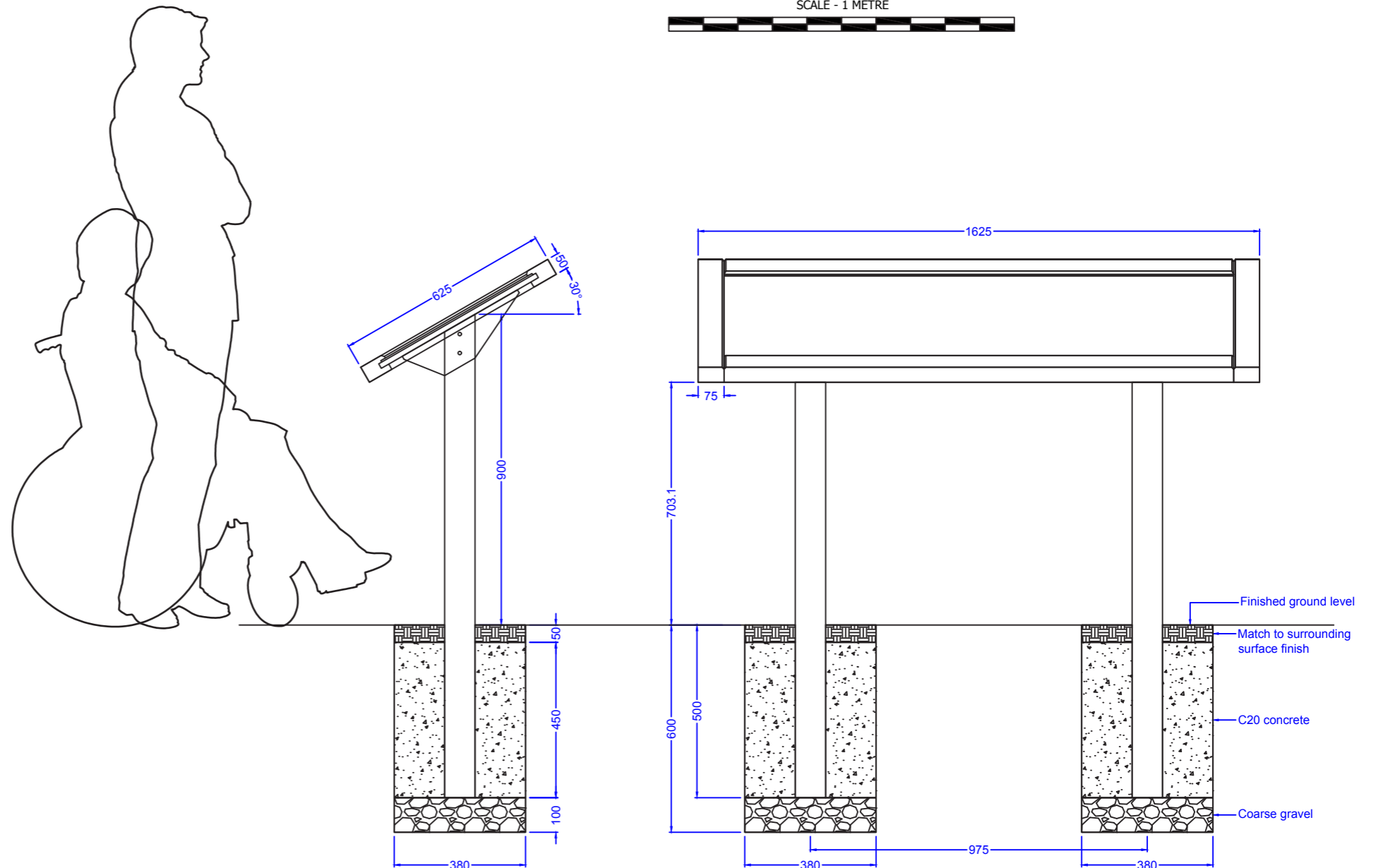
**Visible fixings:** Stainless steel security fixings to removable parts

**Capacity:** Will accommodate a 3mm thick printed graphic panel

**Weight:** 38kg

**Installation:** Posts extend 500mm below ground level

**Guarantee:** One year manufacturer's warranty



Standard frame assembly

Note: All dimensions are indicative only. Footing details are subject to soil conditions and structural engineers recommendations.