



**Fitzpatrick
Woolmer**

Musketeer™ - Stainless Steel

Our **Musketeer™** stainless steel lectern displays will never corrode and offer maximum vandal resistance and durability.

Interpretation panels are presented at a low angle, ideal for children and wheelchair users or in areas where space is limited. Twin leg and single leg lecterns are available in a range of sizes to accommodate larger and smaller interpretation boards.

Product features

- * Stainless steel construction
- * Tamper resistant fixings
- * Removable graphic panel
- * Easy access for children and wheelchair users
- * Powdercoat finish to standard colour
- * Standard sizes A3, A2, A1 and A0
- * Standard panoramic sizes 900mm x 300mm, 1200mm x 400mm and 1500mm 500mm
- * 1 year manufacturer's warranty

Fitzpatrick Woolmer Design & Publishing Limited

Unit 7 Lakeside Park, Neptune Close, Rochester, Kent, ME2 4LT
 t: 01634 711 771 e: info@fwdp.co.uk w: fwdp.co.uk



By Appointment to His Majesty The King
 Manufacturer of Signs and Wayfinding
 Fitzpatrick Woolmer Design & Publishing Ltd, Kent

Specification applies to the standard product. Our range of options usually allow us to accommodate any differences you may require. Please contact us and we will be happy to support you in developing this specification to meet your requirements.

Option delete/ update as appropriate

Manufacturer: Fitzpatrick Woolmer,
Unit 7 Lakeside Park, Neptune Close,
Rochester, Kent, ME2 4LT.

Tel: 01634 711 771

Email: info@fwdp.co.uk

Metal: Stainless steel

Grade: 304

Finish: Powdercoat to BS EN 12206:2021 Part 1

Colour: RAL 9005 Black

Fixings: Stainless steel

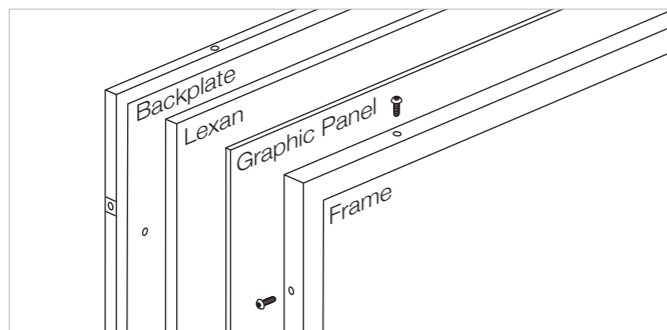
Type: Security

Capacity: Will accommodate a 3mm thick printed graphic panel

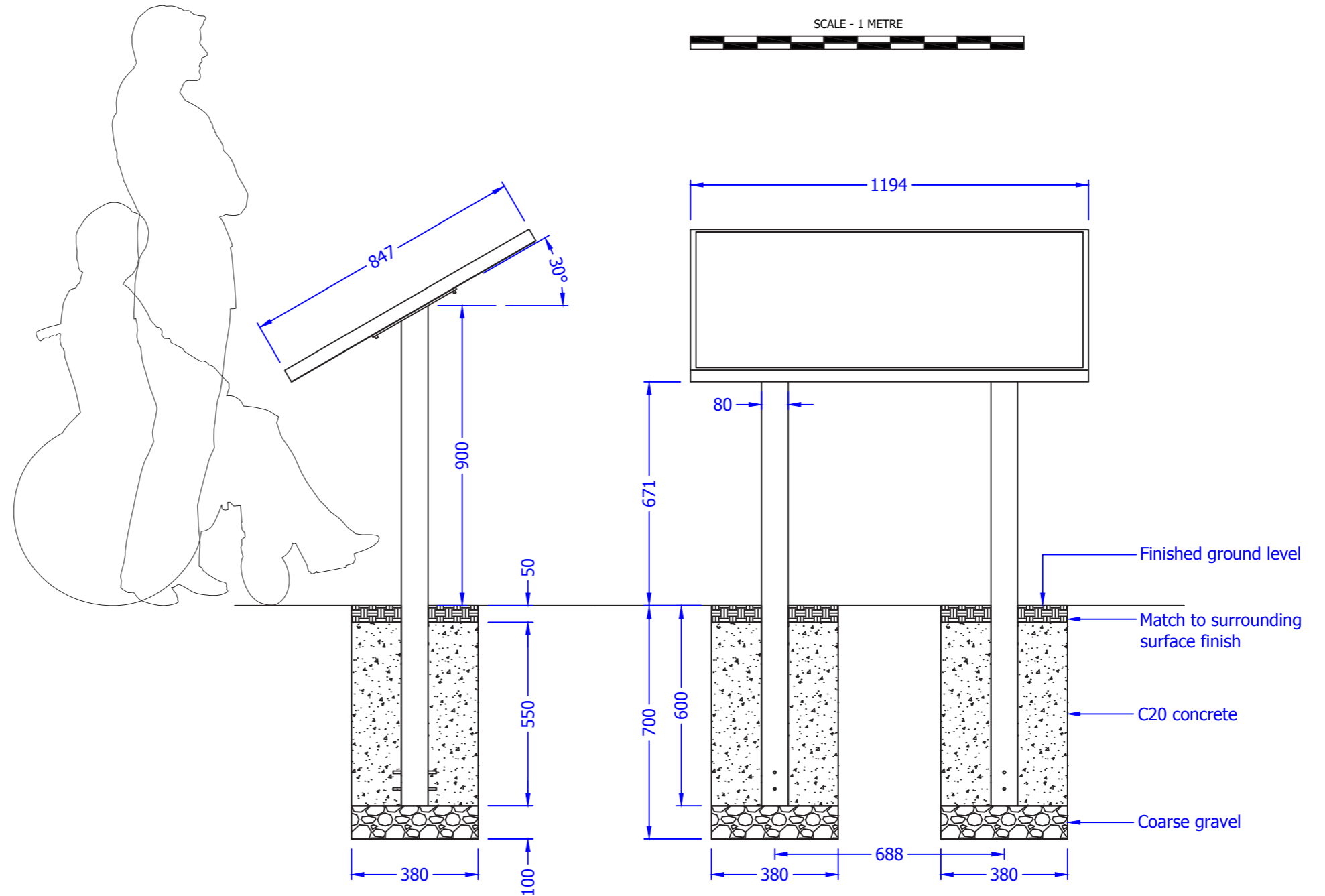
Weight: 37kg

Installation: Posts extend 600mm below ground level

Guarantee: One year manufacturer's warranty



Standard frame assembly



Note: All dimensions are indicative only. Footing details are subject to soil conditions and structural engineers recommendations.

Specification applies to the standard product. Our range of options usually allow us to accommodate any differences you may require. Please contact us and we will be happy to support you in developing this specification to meet your requirements.

Option delete/ update as appropriate

Manufacturer: Fitzpatrick Woolmer,
Unit 7 Lakeside Park, Neptune Close,
Rochester, Kent, ME2 4LT.

Tel: 01634 711 771

Email: info@fwdp.co.uk

Metal: Stainless steel

Grade: 304

Finish: Powdercoat to BS EN 12206:2021 Part 1

Colour: RAL 9005 Black

Fixings: Stainless steel

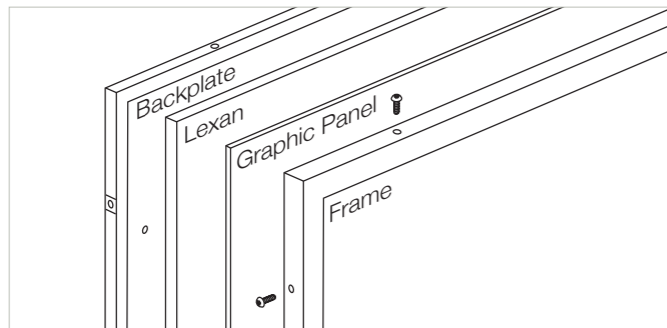
Type: Security

Capacity: Will accommodate a 3mm thick printed graphic panel

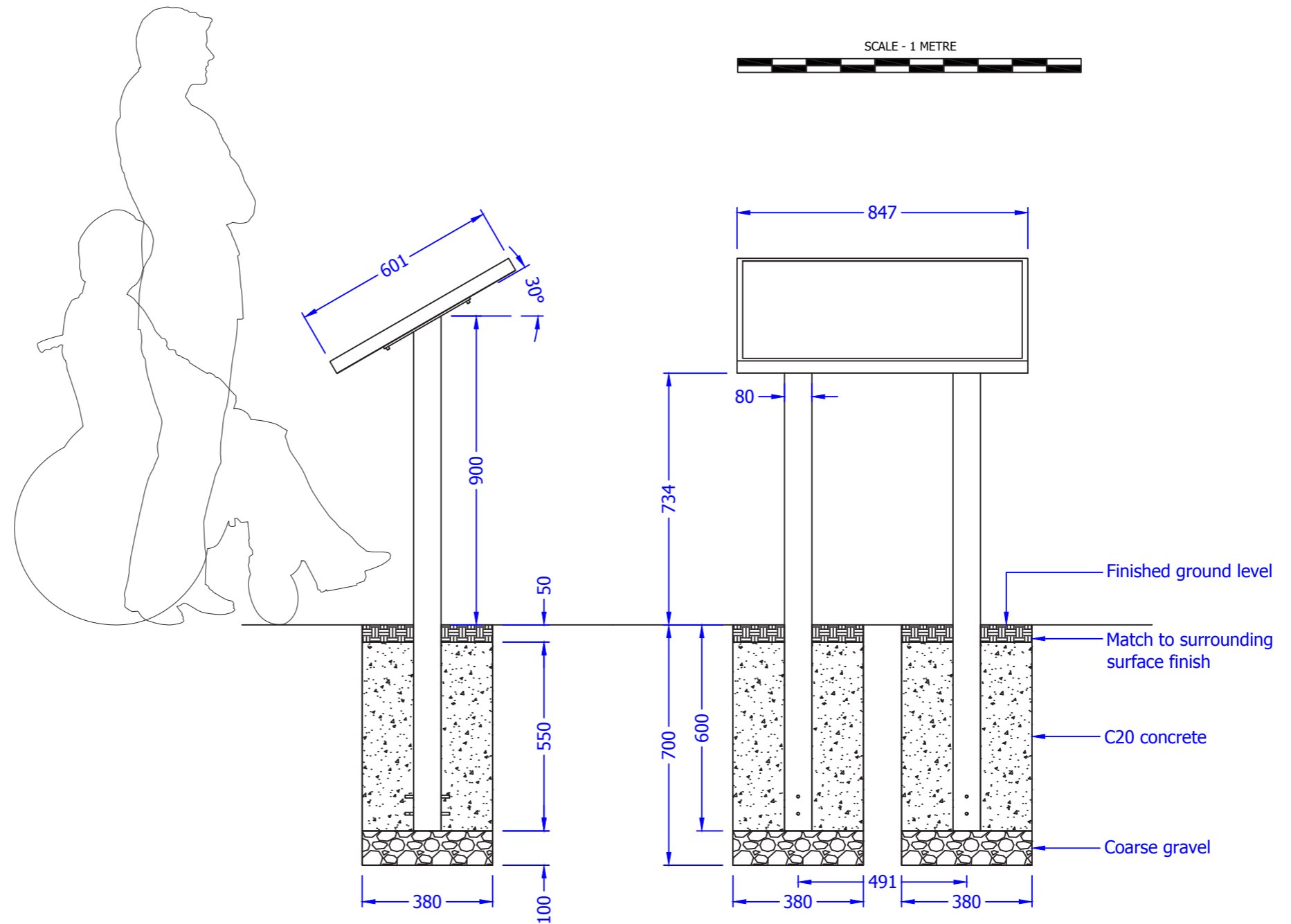
Weight: 28kg

Installation: Posts extend 600mm below ground level

Guarantee: One year manufacturer's warranty



Standard frame assembly



Note: All dimensions are indicative only. Footing details are subject to soil conditions and structural engineers recommendations.

Specification applies to the standard product. Our range of options usually allow us to accommodate any differences you may require. Please contact us and we will be happy to support you in developing this specification to meet your requirements.

Option delete/ update as appropriate

Manufacturer: Fitzpatrick Woolmer,
Unit 7 Lakeside Park, Neptune Close,
Rochester, Kent, ME2 4LT.

Tel: 01634 711 771

Email: info@fwdp.co.uk

Metal: Stainless steel

Grade: 304

Finish: Powdercoat to BS EN 12206:2021 Part 1

Colour: RAL 9005 Black

Fixings: Stainless steel

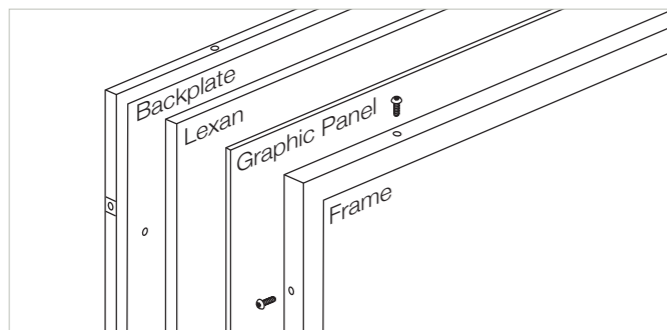
Type: Security

Capacity: Will accommodate a 3mm thick printed graphic panel

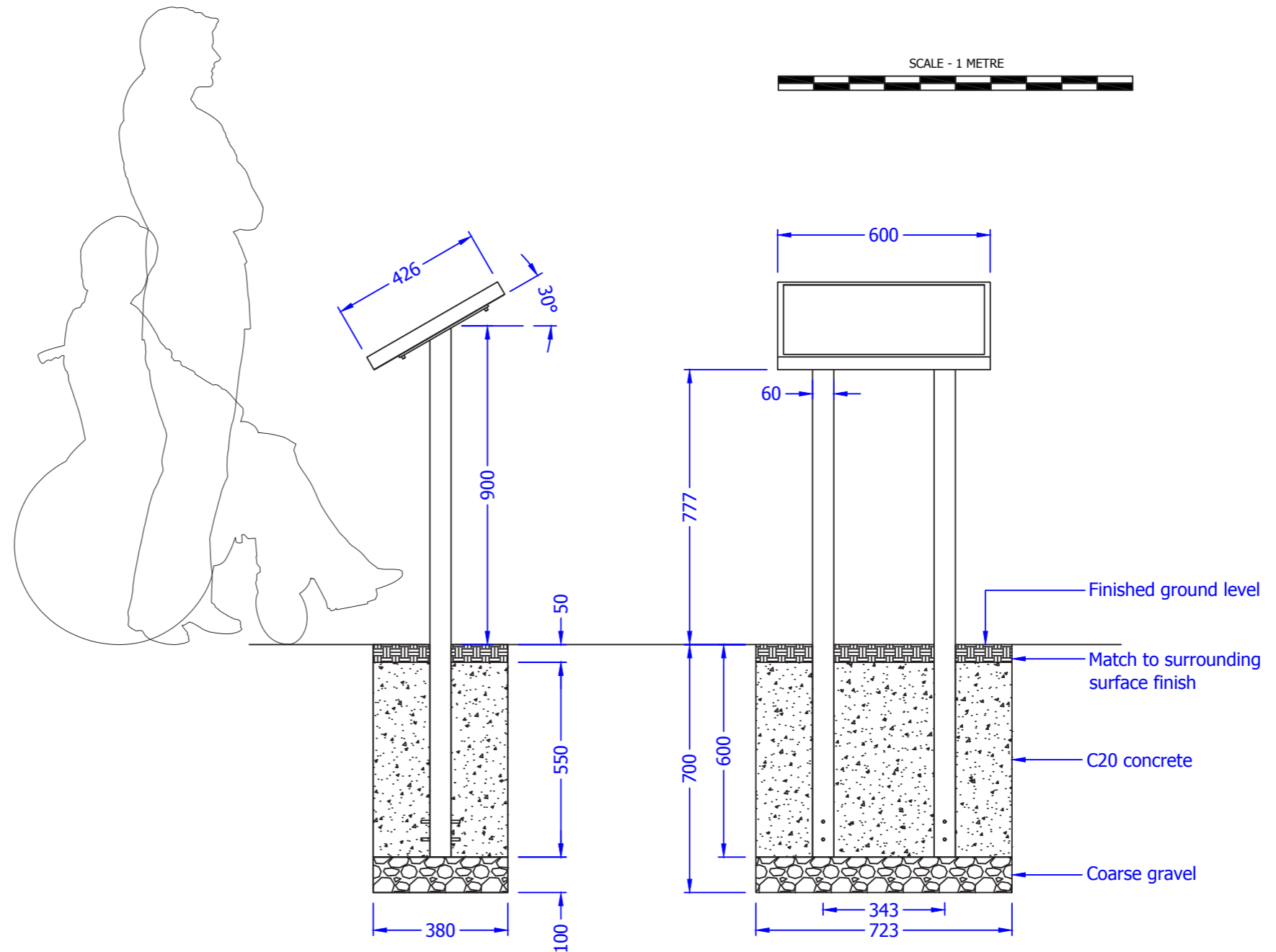
Weight: 20kg

Installation: Posts extend 600mm below ground level

Guarantee: One year manufacturer's warranty



Standard frame assembly



Note: All dimensions are indicative only. Footing details are subject to soil conditions and structural engineers recommendations.

Specification applies to the standard product. Our range of options usually allow us to accommodate any differences you may require. Please contact us and we will be happy to support you in developing this specification to meet your requirements.

Option delete/ update as appropriate

Manufacturer: Fitzpatrick Woolmer,
Unit 7 Lakeside Park, Neptune Close,
Rochester, Kent, ME2 4LT.

Tel: 01634 711 771

Email: info@fwdp.co.uk

Metal: Stainless steel

Grade: 304

Finish: Powdercoat to BS EN 12206:2021 Part 1

Colour: RAL 9005 Black

Fixings: Stainless steel

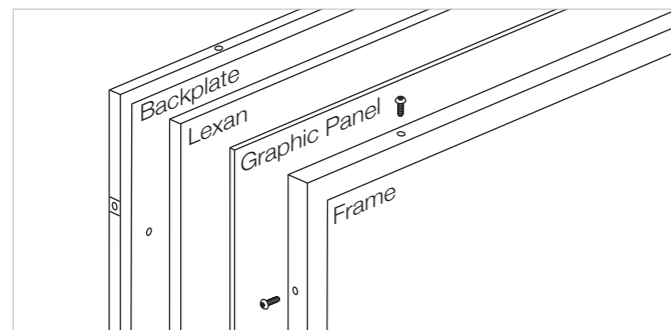
Type: Security

Capacity: Will accommodate a 3mm thick
printed graphic panel

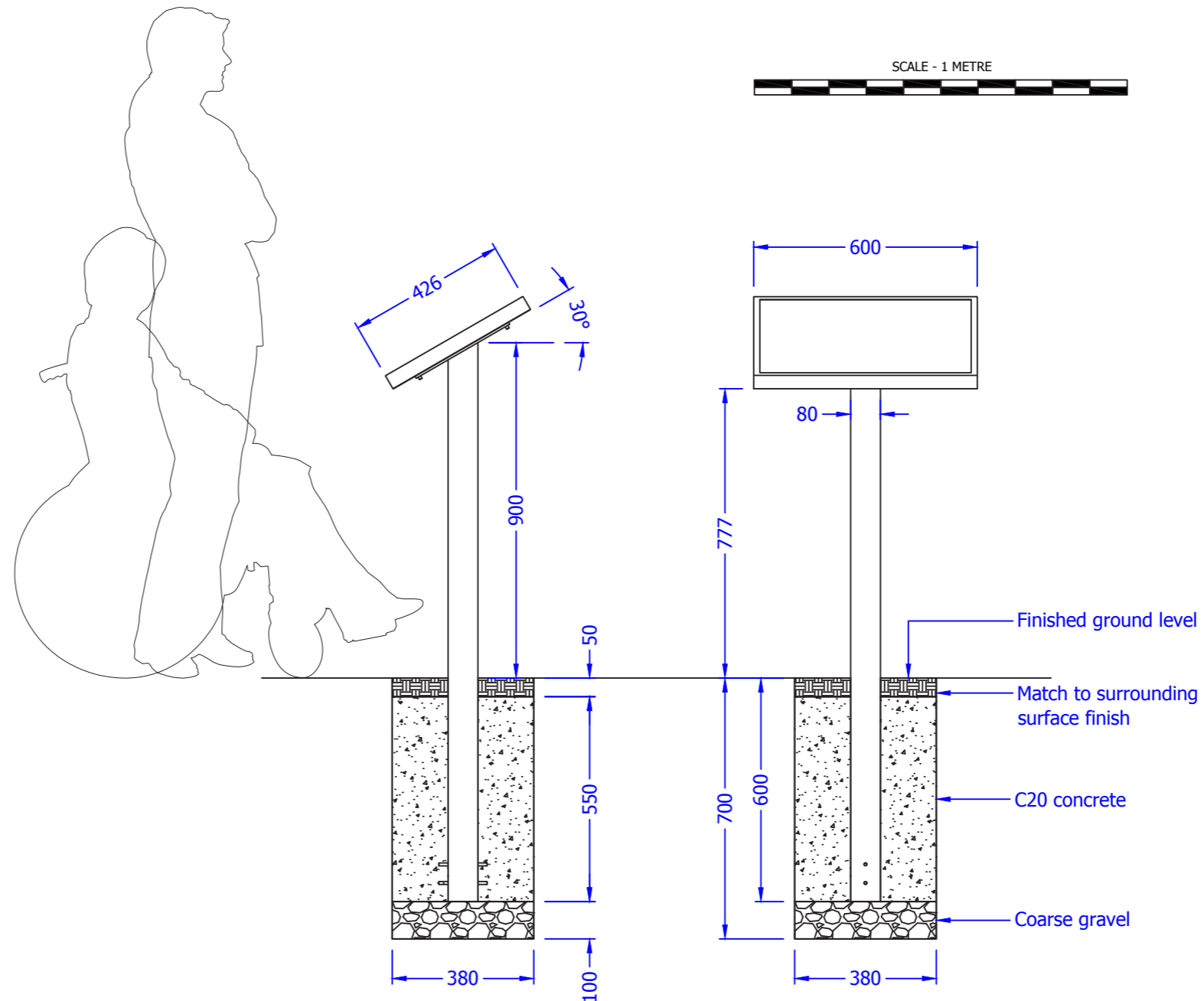
Weight: 14kg

Installation: Posts extend 600mm below
ground level

Guarantee: One year manufacturer's warranty



Standard frame assembly



Note: All dimensions are indicative only. Footing details are subject to soil conditions and structural engineers recommendations.

Specification applies to the standard product. Our range of options usually allow us to accommodate any differences you may require. Please contact us and we will be happy to support you in developing this specification to meet your requirements.

Option delete/ update as appropriate

Manufacturer: Fitzpatrick Woolmer,
Unit 7 Lakeside Park, Neptune Close,
Rochester, Kent, ME2 4LT.

Tel: 01634 711 771

Email: info@fwdp.co.uk

Metal: Stainless steel

Grade: 304

Finish: Powdercoat to BS EN 12206:2021 Part 1

Colour: RAL 9005 Black

Fixings: Stainless steel

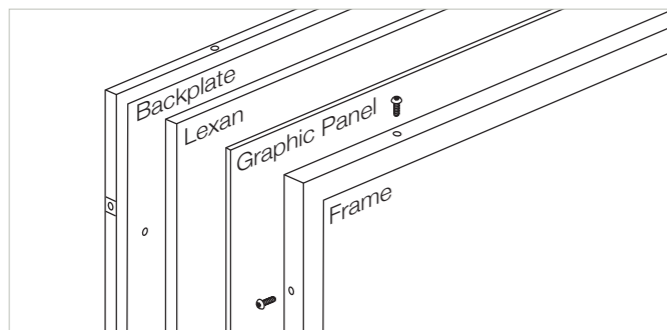
Type: Security

Capacity: Will accommodate a 3mm thick printed graphic panel

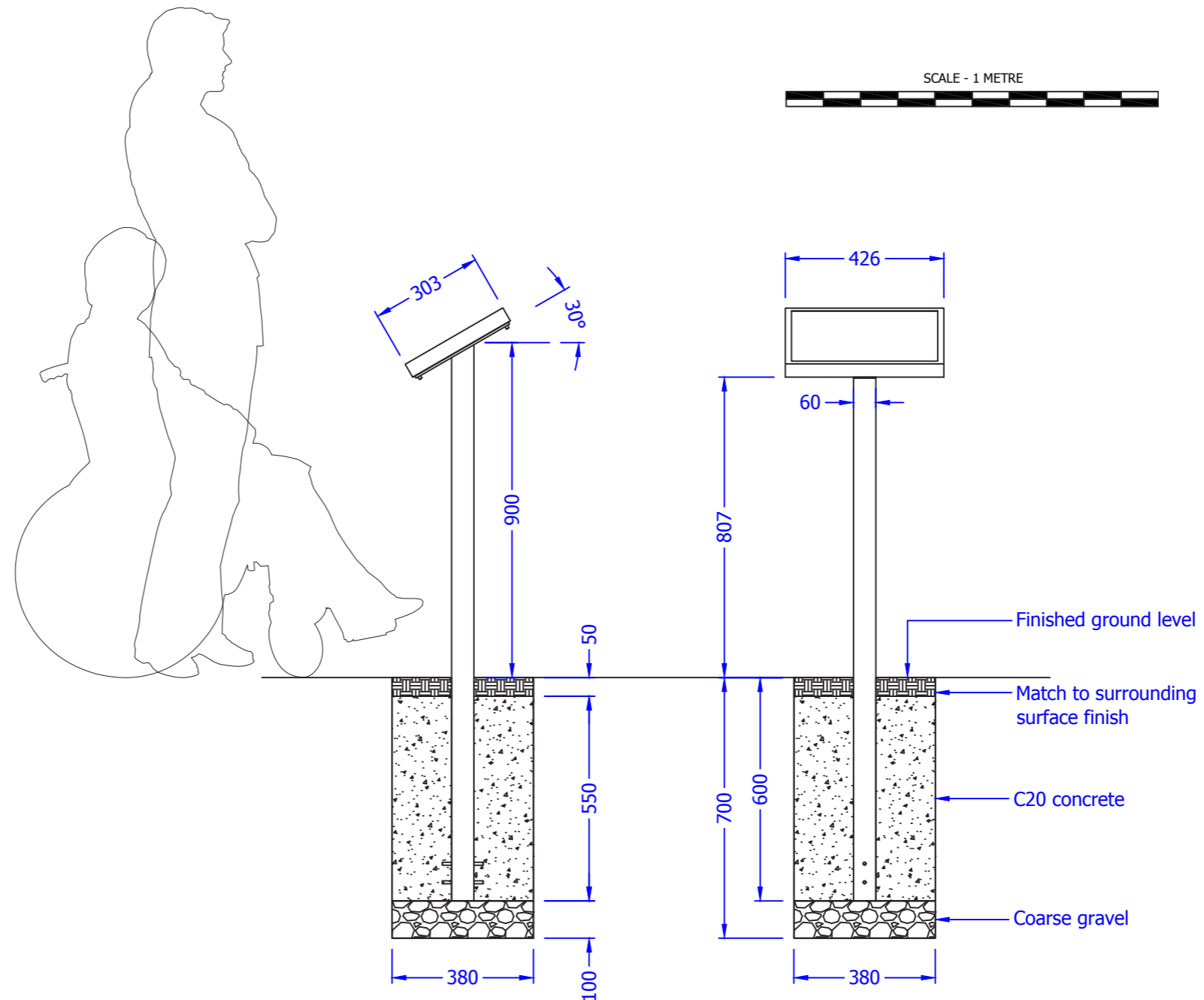
Weight: 11kg

Installation: Posts extend 600mm below ground level

Guarantee: One year manufacturer's warranty



Standard frame assembly



Note: All dimensions are indicative only. Footing details are subject to soil conditions and structural engineers recommendations.

Specification applies to the standard product. Our range of options usually allow us to accommodate any differences you may require. Please contact us and we will be happy to support you in developing this specification to meet your requirements.

Option delete/ update as appropriate

Manufacturer: Fitzpatrick Woolmer,
Unit 7 Lakeside Park, Neptune Close,
Rochester, Kent, ME2 4LT.

Tel: 01634 711 771

Email: info@fwdp.co.uk

Metal: Stainless steel

Grade: 304

Finish: Powdercoat to BS EN 12206:2021 Part 1

Colour: RAL 9005 Black

Fixings: Stainless steel

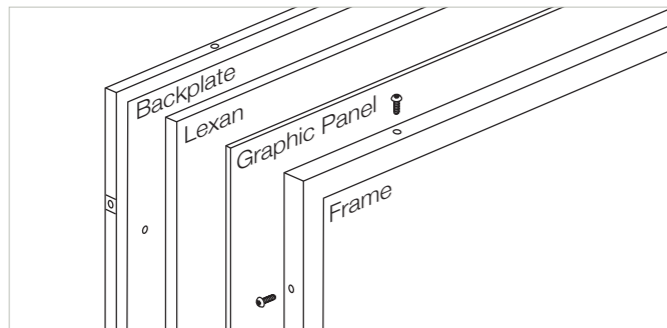
Type: Security

Capacity: Will accommodate a 3mm thick printed graphic panel

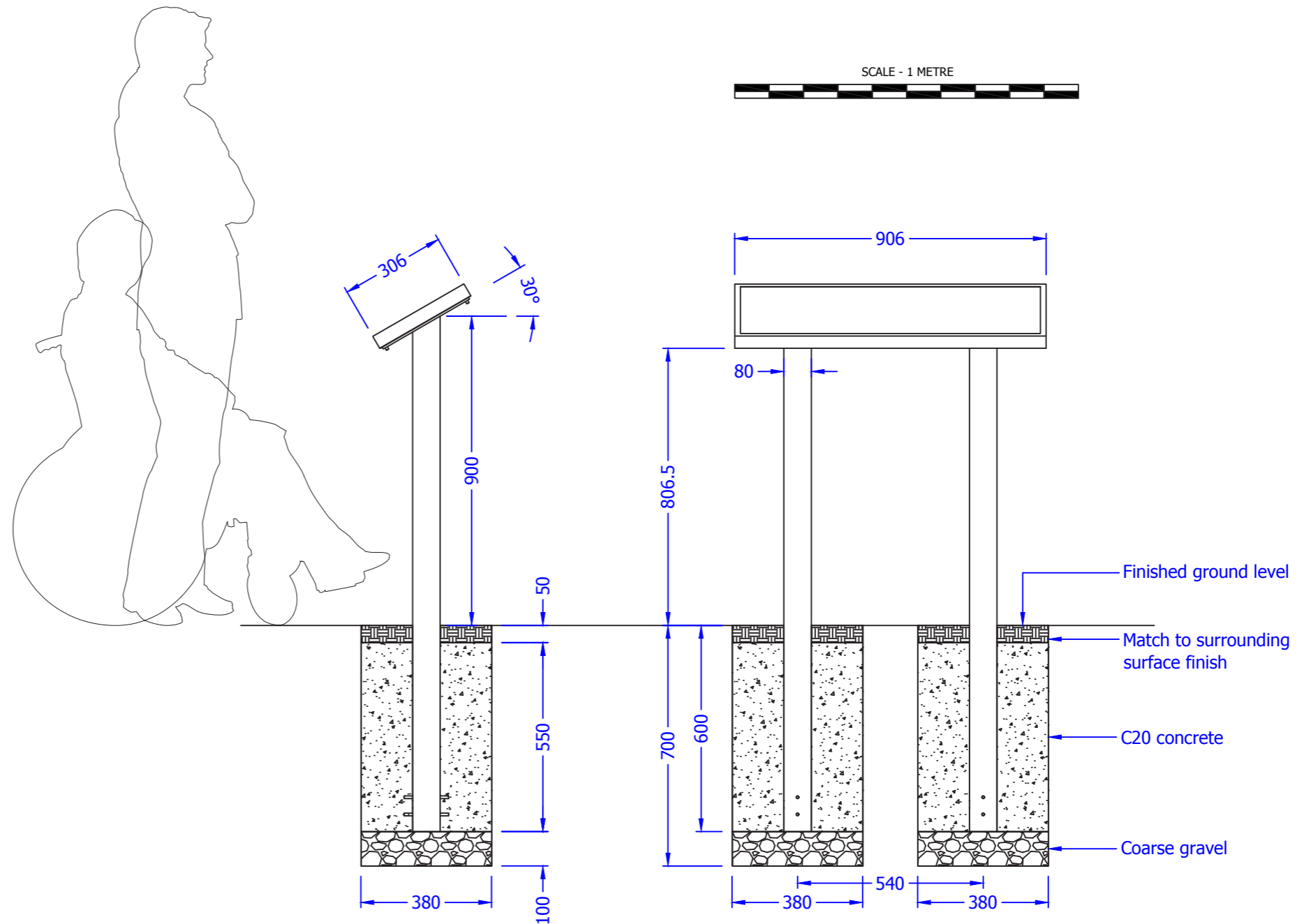
Weight: 23kg

Installation: Posts extend 600mm below ground level

Guarantee: One year manufacturer's warranty



Standard frame assembly



Note: All dimensions are indicative only. Footing details are subject to soil conditions and structural engineers recommendations.

Specification applies to the standard product. Our range of options usually allow us to accommodate any differences you may require. Please contact us and we will be happy to support you in developing this specification to meet your requirements.

Option delete/ update as appropriate

Manufacturer: Fitzpatrick Woolmer,
Unit 7 Lakeside Park, Neptune Close,
Rochester, Kent, ME2 4LT.

Tel: 01634 711 771

Email: info@fwdp.co.uk

Metal: Stainless steel

Grade: 304

Finish: Powdercoat to BS EN 12206:2021 Part 1

Colour: RAL 9005 Black

Fixings: Stainless steel

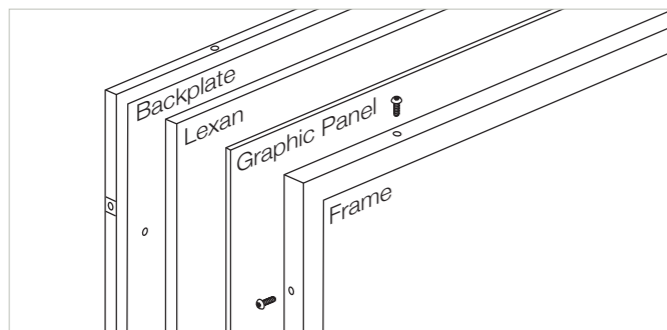
Type: Security

Capacity: Will accommodate a 3mm thick printed graphic panel

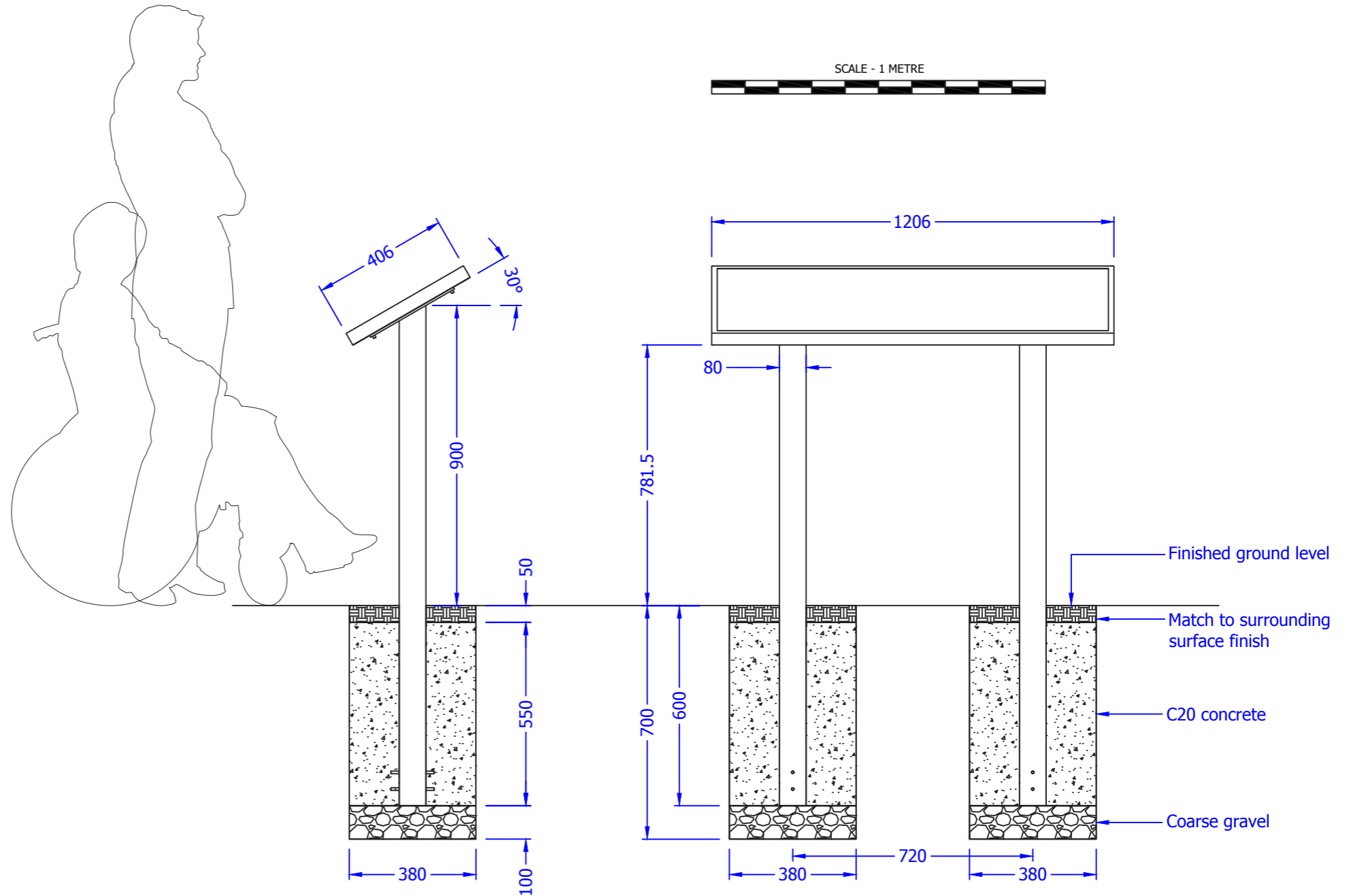
Weight: 28kg

Installation: Posts extend 600mm below ground level

Guarantee: One year manufacturer's warranty



Standard frame assembly



Note: All dimensions are indicative only. Footing details are subject to soil conditions and structural engineers recommendations.

Specification applies to the standard product. Our range of options usually allow us to accommodate any differences you may require. Please contact us and we will be happy to support you in developing this specification to meet your requirements.

Option delete/ update as appropriate

Manufacturer: Fitzpatrick Woolmer,
Unit 7 Lakeside Park, Neptune Close,
Rochester, Kent, ME2 4LT.

Tel: 01634 711 771

Email: info@fwdp.co.uk

Metal: Stainless steel

Grade: 304

Finish: Powdercoat to BS EN 12206:2021 Part 1

Colour: RAL 9005 Black

Fixings: Stainless steel

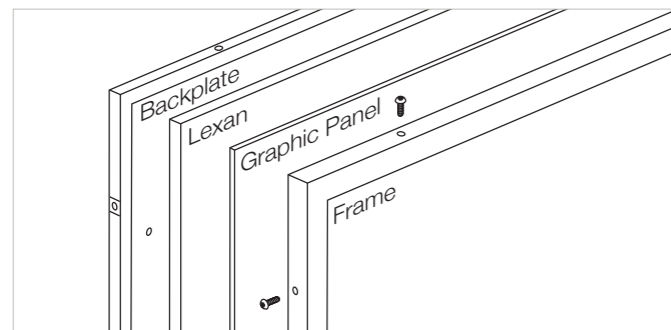
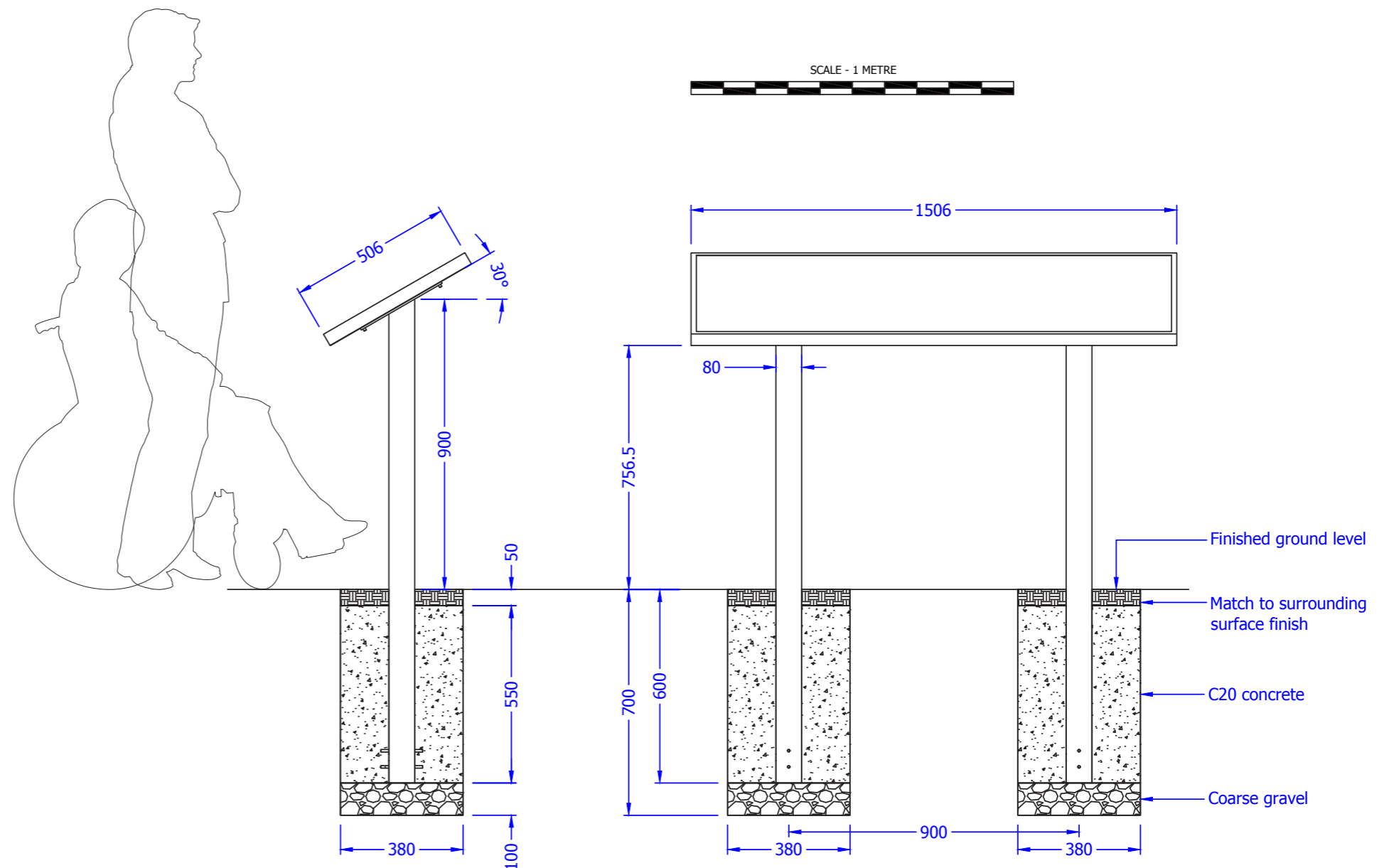
Type: Security

Capacity: Will accommodate a 3mm thick printed graphic panel

Weight: 33kg

Installation: Posts extend 600mm below ground level

Guarantee: One year manufacturer's warranty



Standard frame assembly

Note: All dimensions are indicative only. Footing details are subject to soil conditions and structural engineers recommendations.