



**Fitzpatrick  
Woolmer**

## Richmond Combination Display

Our **Richmond Combination Display** is crafted from stainless steel with a contemporary design that balances modern sophistication with traditional appeal. Featuring a secure, lockable notice board for regularly updated posters and flyers alongside a permanent display panel for maps, interpretation, or visitor information, it is both practical and stylish.

Built to withstand outdoor environments, it offers durability, weather resistance, and low maintenance. An ideal choice for civic spaces and heritage locations, it provides a clear and effective communication solution.

### Product features

- \* Stainless steel construction
- \* Supplied with flat plate header board
- \* Robust stainless steel locks
- \* Gas struts to support doors when open
- \* Tough 4mm clear polycarbonate window
- \* Magnetic back board – magnets included
- \* Vent holes to minimise condensation
- \* Powdercoat finish to standard colour
- \* Standard sizes A2 and A1 notice board
- \* 1 year manufacturer's warranty

**Fitzpatrick Woolmer Design & Publishing Limited**

Unit 7 Lakeside Park, Neptune Close, Rochester, Kent, ME2 4LT  
t: 01634 711 771 e: info@fwdp.co.uk w: fwdp.co.uk



By Appointment to His Majesty The King  
Manufacturer of Signs and Wayfinding  
Fitzpatrick Woolmer Design & Publishing Ltd, Kent

Specification applies to the standard product. Our range of options usually allow us to accommodate any differences you may require. Please contact us and we will be happy to support you in developing this specification to meet your requirements.

Option delete/ update as appropriate

**Manufacturer:** Fitzpatrick Woolmer,  
Unit 7 Lakeside Park, Neptune Close,  
Rochester, Kent, ME2 4LT.

**Tel:** 01634 711 771

**Email:** info@fwdp.co.uk

**Metal:** Stainless steel

**Grade:** 304

**Finish:** Powdercoat to BS EN 12206:2021 Part 1

**Colour:** RAL 9005 Black

**Fixings:** Stainless steel

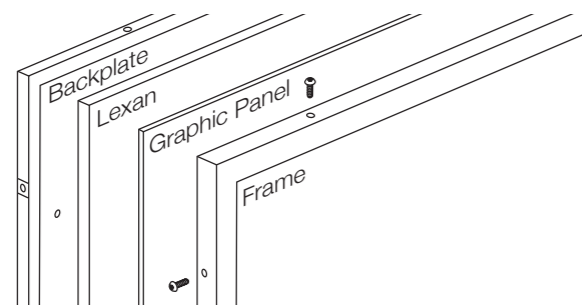
**Type:** Security

**Capacity:** Will accommodate a 3mm thick printed graphic panel

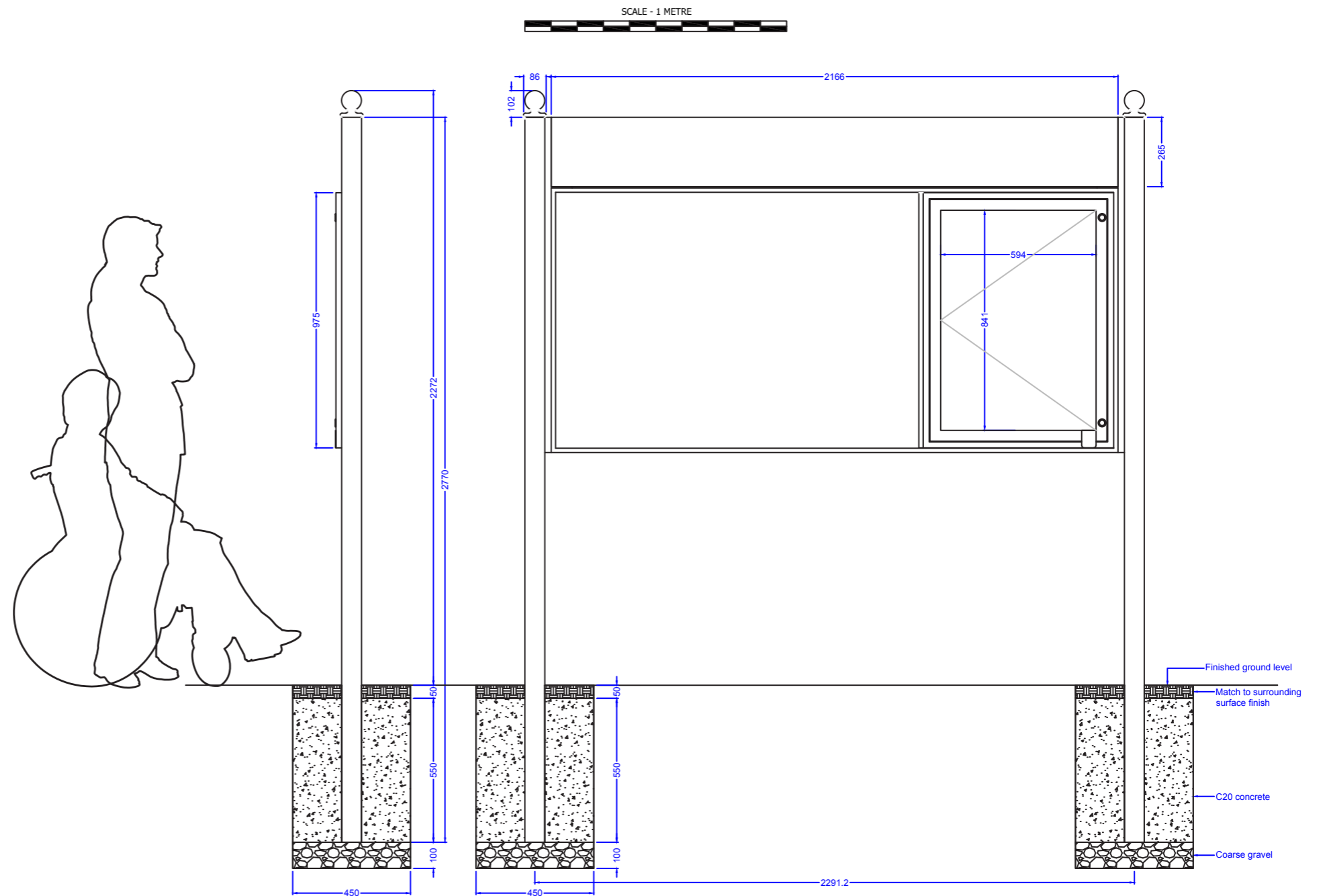
**Weight:** 80kg

**Installation:** Posts extend 600mm below ground level

**Guarantee:** One year manufacturer's warranty



Standard frame assembly



Note: All dimensions are indicative only. Footing details are subject to soil conditions and structural engineers recommendations.

Specification applies to the standard product. Our range of options usually allow us to accommodate any differences you may require. Please contact us and we will be happy to support you in developing this specification to meet your requirements.

Option delete/ update as appropriate

**Manufacturer:** Fitzpatrick Woolmer,  
Unit 7 Lakeside Park, Neptune Close,  
Rochester, Kent, ME2 4LT.

**Tel:** 01634 711 771

**Email:** info@fwdp.co.uk

**Metal:** Stainless steel

**Grade:** 304

**Finish:** Powdercoat to BS EN 12206:2021 Part 1

**Colour:** RAL 9005 Black

**Fixings:** Stainless steel

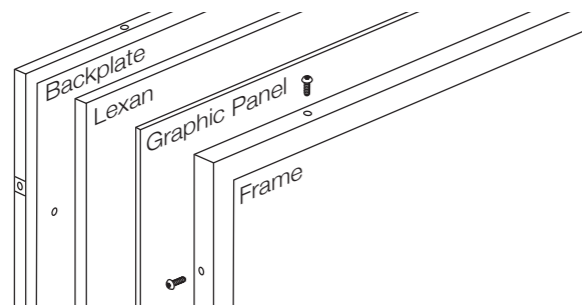
**Type:** Security

**Capacity:** Will accommodate a 3mm thick printed graphic panel

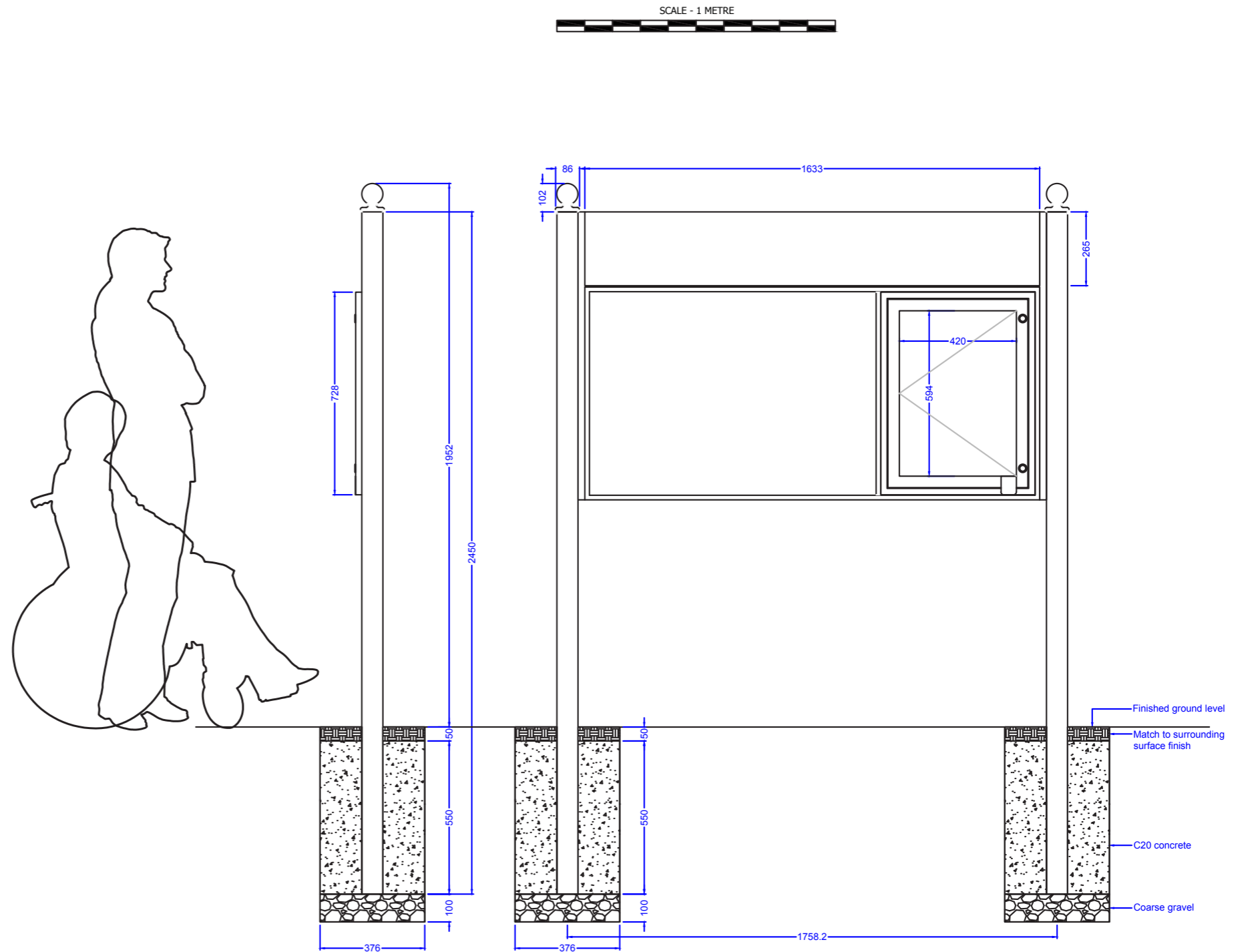
**Weight:** 65kg

**Installation:** Posts extend 600mm below ground level

**Guarantee:** One year manufacturer's warranty



Standard frame assembly



Note: All dimensions are indicative only. Footing details are subject to soil conditions and structural engineers recommendations.