



Fitzpatrick Woolmer

Oak

Wallmounting Frame

Our FSC **Oak wallmounting frames** offer a warm, natural aesthetic that blends beautifully with heritage architecture and outdoor landscapes. Designed for secure fixing to walls, they provide an elegant, space-saving solution where ground installations aren't practical.

The durable hardwood frame presents information clearly and accessibly, making it ideal for historic buildings, visitor centres, and countryside locations where a sympathetic, sustainable appearance enhances the overall visitor experience.

Product features

- * Hardwood FSC Oak construction
- * Tamper resistant fixings
- * Removable graphic panel
- * Preservative finish
- * Standard sizes A3, A2, A1 and A0
- * 1 year manufacturer's warranty

Fitzpatrick Woolmer Design & Publishing Limited

Unit 7 Lakeside Park, Neptune Close, Rochester, Kent, ME2 4LT
 t: 01634 711 771 e: info@fwdp.co.uk w: fwdp.co.uk



By Appointment to His Majesty The King
 Manufacturer of Signs and Wayfinding
 Fitzpatrick Woolmer Design & Publishing Ltd, Kent

Specification applies to the standard product. Our range of options usually allow us to accommodate any differences you may require. Please contact us and we will be happy to support you in developing this specification to meet your requirements.

Option delete/ update as appropriate

Manufacturer: Fitzpatrick Woolmer,
Unit 7 Lakeside Park, Neptune Close,
Rochester, Kent, ME2 4LT.

Tel: 01634 711 771

Email: info@fwdp.co.uk

Timber: FSC Prime Grade to BS EN 975-1

Species: Oak and Eucalyptus (external grade plywood)

Origin: France and China

Moisture content on delivery: 10% - 20%

Certification: FSC chain of custody

Finish: Sadolin Classic wood preservative, solvent based, matt

Colour: Light Oak

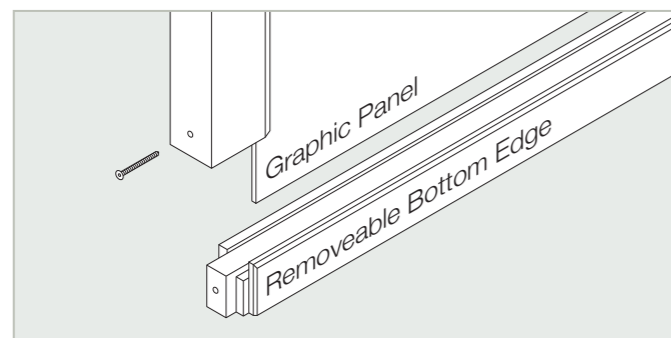
Visible fixings: Stainless steel security fixings to removable parts

Capacity: Will accommodate a 3mm thick printed graphic panel

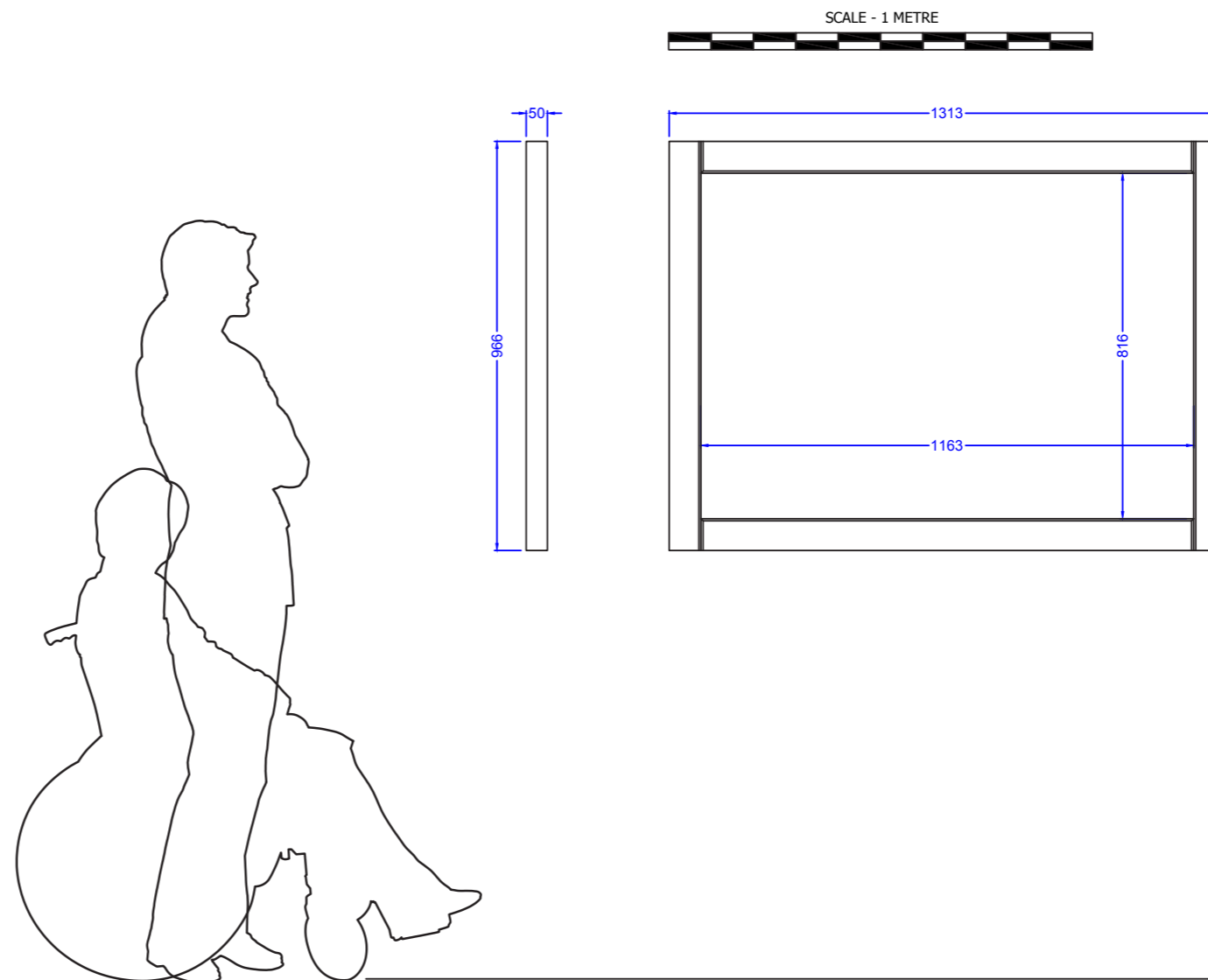
Weight: 30kg

Installation: Wallmounting

Guarantee: One year manufacturer's warranty



Standard frame assembly



Note: All dimensions are indicative only. Footing details are subject to soil conditions and structural engineers recommendations.

Specification applies to the standard product. Our range of options usually allow us to accommodate any differences you may require. Please contact us and we will be happy to support you in developing this specification to meet your requirements.

Option delete/ update as appropriate

Manufacturer: Fitzpatrick Woolmer,
Unit 7 Lakeside Park, Neptune Close,
Rochester, Kent, ME2 4LT.

Tel: 01634 711 771

Email: info@fwdp.co.uk

Timber: FSC Prime Grade to BS EN 975-1

Species: Oak and Eucalyptus (external grade plywood)

Origin: France and China

Moisture content on delivery: 10% - 20%

Certification: FSC chain of custody

Finish: Sadolin Classic wood preservative, solvent based, matt

Colour: Light Oak

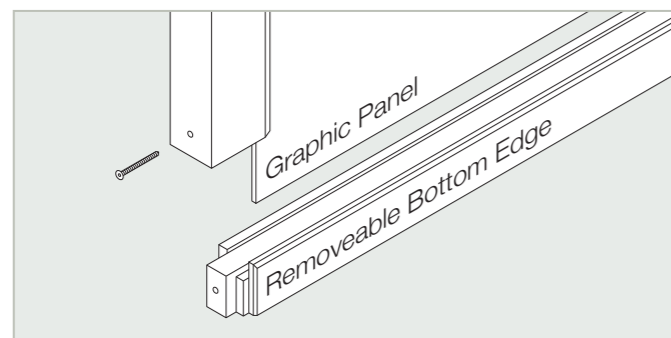
Visible fixings: Stainless steel security fixings to removable parts

Capacity: Will accommodate a 3mm thick printed graphic panel

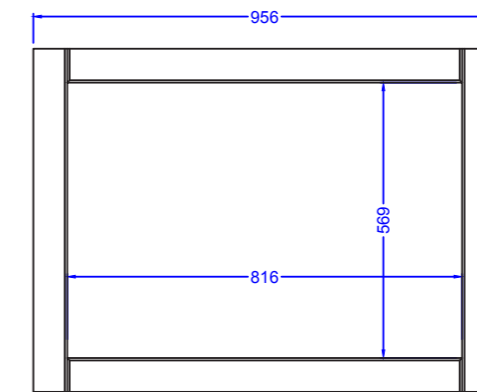
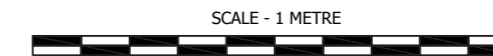
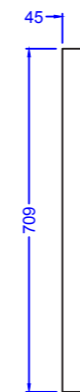
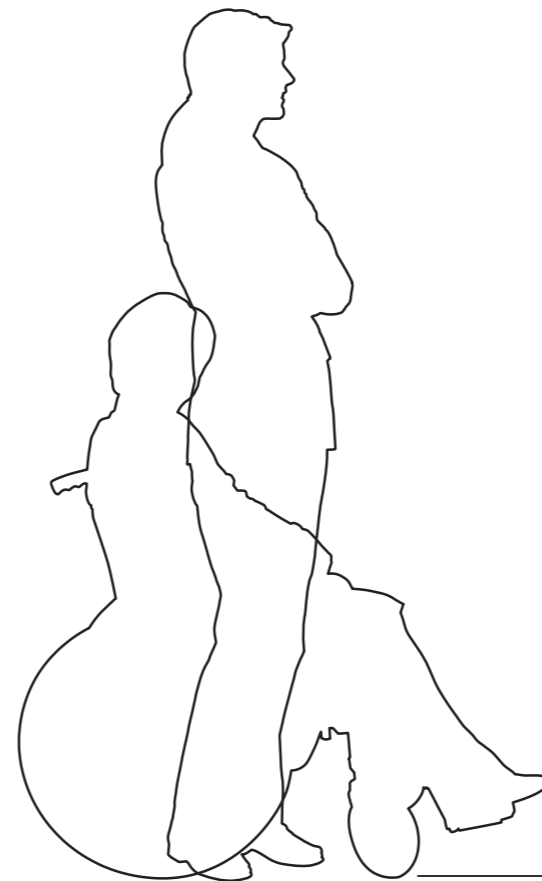
Weight: 19kg

Installation: Wallmounting

Guarantee: One year manufacturer's warranty



Standard frame assembly



Note: All dimensions are indicative only. Footing details are subject to soil conditions and structural engineers recommendations.

Specification applies to the standard product. Our range of options usually allow us to accommodate any differences you may require. Please contact us and we will be happy to support you in developing this specification to meet your requirements.

Option delete/ update as appropriate

Manufacturer: Fitzpatrick Woolmer,
Unit 7 Lakeside Park, Neptune Close,
Rochester, Kent, ME2 4LT.

Tel: 01634 711 771

Email: info@fwdp.co.uk

Timber: FSC Prime Grade to BS EN 975-1

Species: Oak and Eucalyptus (external grade plywood)

Origin: France and China

Moisture content on delivery: 10% - 20%

Certification: FSC chain of custody

Finish: Sadolin Classic wood preservative, solvent based, matt

Colour: Light Oak

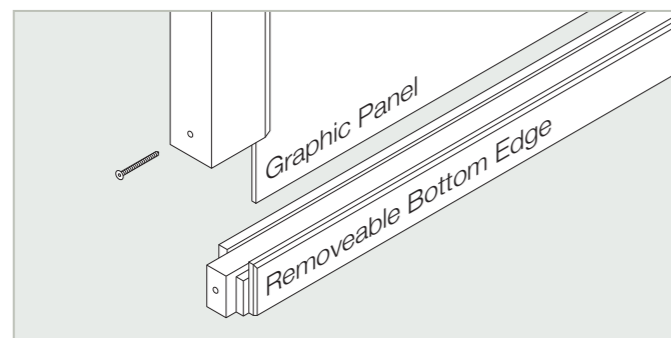
Visible fixings: Stainless steel security fixings to removable parts

Capacity: Will accommodate a 3mm thick printed graphic panel

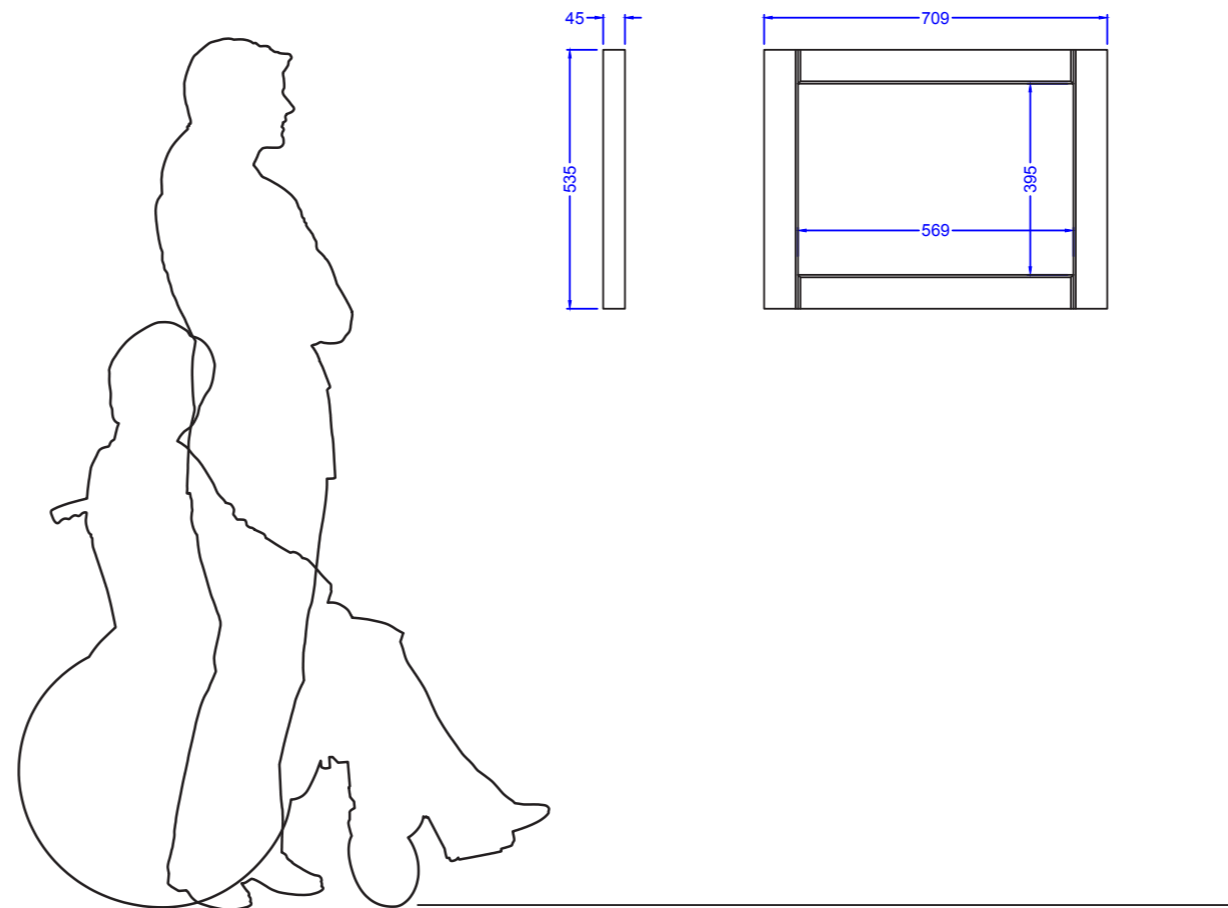
Weight: 13kg

Installation: Wallmounting

Guarantee: One year manufacturer's warranty



Standard frame assembly



Note: All dimensions are indicative only. Footing details are subject to soil conditions and structural engineers recommendations.

Specification applies to the standard product. Our range of options usually allow us to accommodate any differences you may require. Please contact us and we will be happy to support you in developing this specification to meet your requirements.

Option delete/ update as appropriate

Manufacturer: Fitzpatrick Woolmer,
Unit 7 Lakeside Park, Neptune Close,
Rochester, Kent, ME2 4LT.

Tel: 01634 711 771

Email: info@fwdp.co.uk

Timber: FSC Prime Grade to BS EN 975-1

Species: Oak and Eucalyptus (external grade plywood)

Origin: France and China

Moisture content on delivery: 10% - 20%

Certification: FSC chain of custody

Finish: Sadolin Classic wood preservative, solvent based, matt

Colour: Light Oak

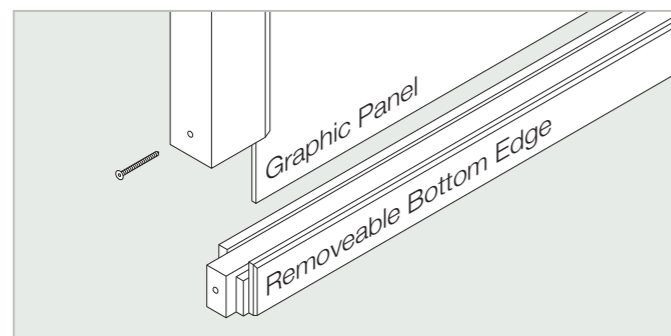
Visible fixings: Stainless steel security fixings to removable parts

Capacity: Will accommodate a 3mm thick printed graphic panel

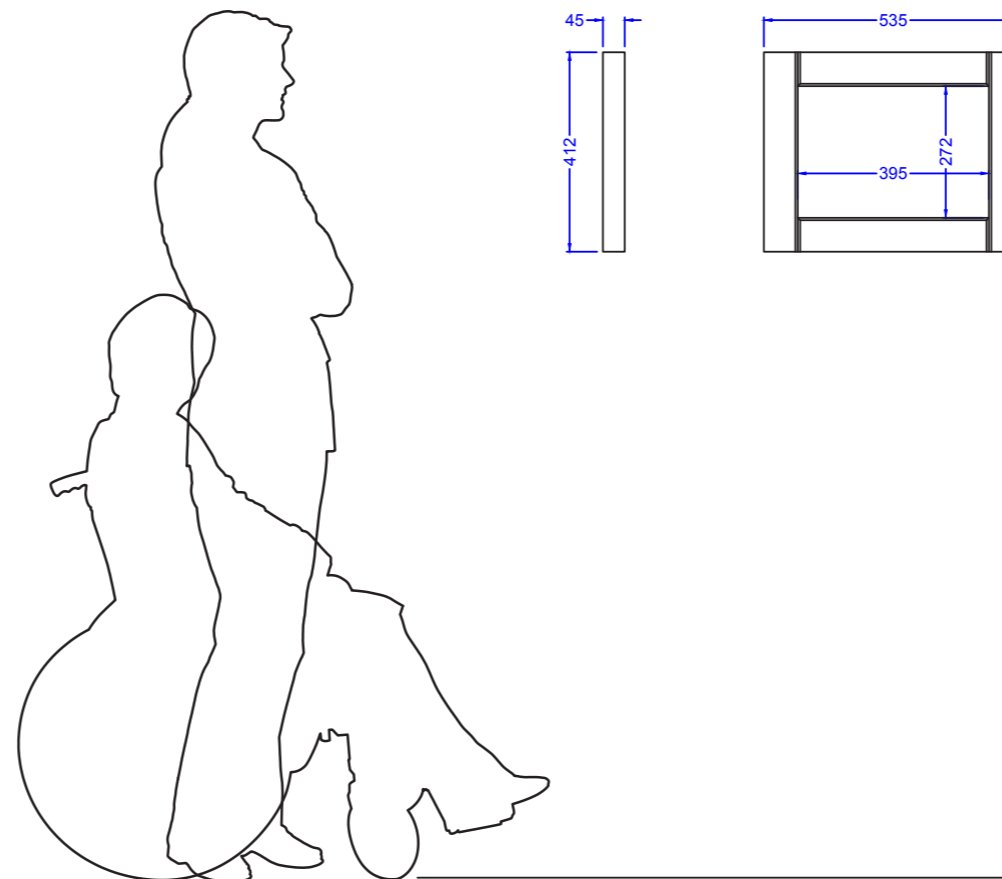
Weight: 12kg

Installation: Wallmounting

Guarantee: One year manufacturer's warranty



Standard frame assembly



Note: All dimensions are indicative only. Footing details are subject to soil conditions and structural engineers recommendations.