



**Fitzpatrick
Woolmer**

Wallmounting n-Viro™ Tray

Our n-Viro™ printed trays offer the perfect solution for outdoor interpretation and information displays. Printed with exceptional clarity and vibrant colours, they bring text, illustrations and photographs to life.

Made from 100% recyclable aluminium and backed by a 10-year guarantee against fading, they deliver long-term sustainability. The DuoGuard™ anti-graffiti coating protects against heat, flames and scratches, ensuring easy maintenance and lasting durability, so your stories remain clear, engaging and accessible for many years to come.

Product features

- * 3mm thick aluminium panel with folded returns
- * Full colour printed
- * Heat cured DuoGuard™ anti-graffiti, scratch and flame resistant coating
- * 100% recyclable
- * Powdercoat finish to standard colour
- * Standard sizes A3, A2, A1 and A0
- * 10 year lightfast guarantee

Fitzpatrick Woolmer Design & Publishing Limited

Unit 7 Lakeside Park, Neptune Close, Rochester, Kent, ME2 4LT
t: 01634 711 771 e: info@fwdp.co.uk w: fwdp.co.uk



By Appointment to His Majesty The King
Manufacturer of Signs and Wayfinding
Fitzpatrick Woolmer Design & Publishing Ltd, Kent

Specification applies to the standard product. Our range of options usually allow us to accommodate any differences you may require. Please contact us and we will be happy to support you in developing this specification to meet your requirements.

Option delete/ update as appropriate

Manufacturer: Fitzpatrick Woolmer,
Unit 7 Lakeside Park, Neptune Close,
Rochester, Kent, ME2 4LT.

Tel: 01634 711 771

Email: info@fwdp.co.uk

Metal: Aluminium

Grade: 1050

Finish: Powdercoat to BS EN 12206:2021 Part 1
with DuoGuard™ anti graffiti coating

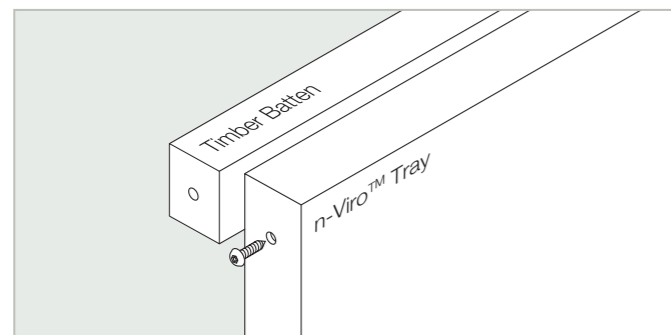
Colour: **RAL 9003 White**

Graphics: Full colour printed

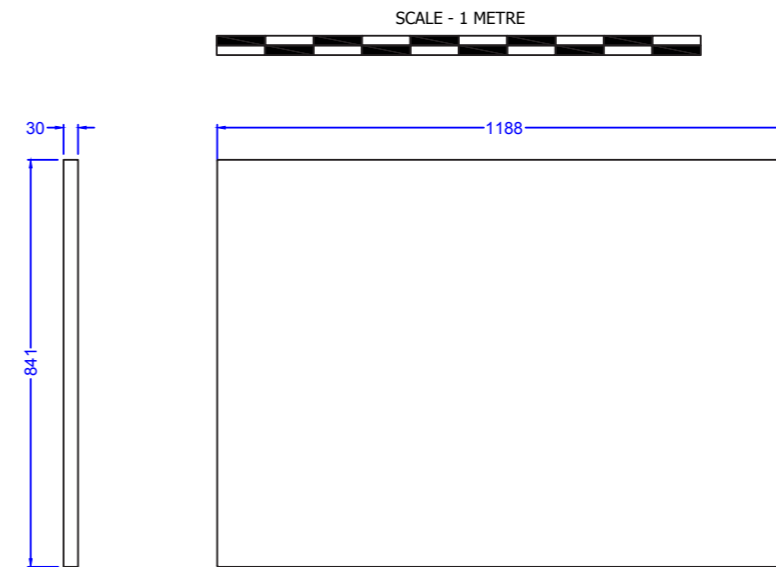
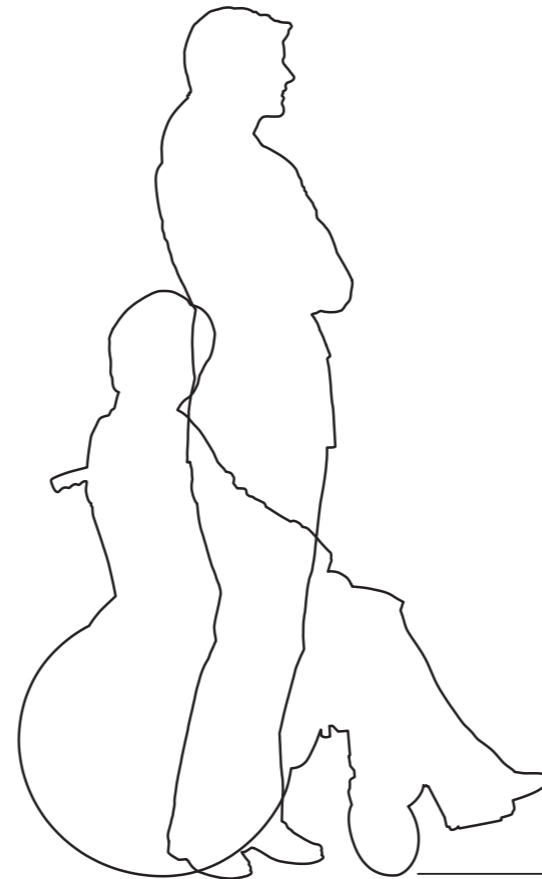
Weight: 12kg

Installation: Face fixed, wallmounted

Guarantee: 10 year lightfast guarantee



Standard assembly



Note: All dimensions are indicative only.

Specification applies to the standard product.
Our range of options usually allow us to accommodate any differences you may require. Please contact us and we will be happy to support you in developing this specification to meet your requirements.

Option delete/ update as appropriate

Manufacturer: Fitzpatrick Woolmer,
Unit 7 Lakeside Park, Neptune Close,
Rochester, Kent, ME2 4LT.

Tel: 01634 711 771

Email: info@fwdp.co.uk

Metal: Aluminium

Grade: 1050

Finish: Powdercoat to BS EN 12206:2021 Part 1
with DuoGuard™ anti graffiti coating

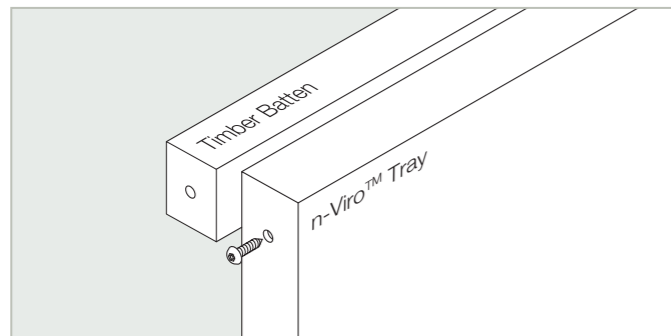
Colour: **RAL 9003 White**

Graphics: Full colour printed

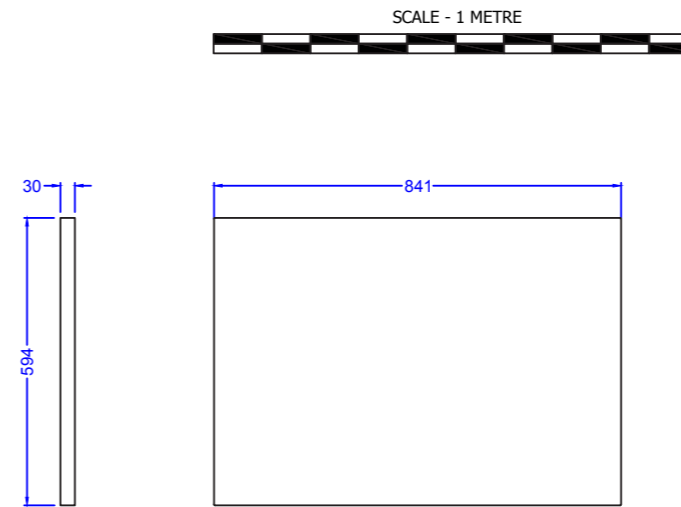
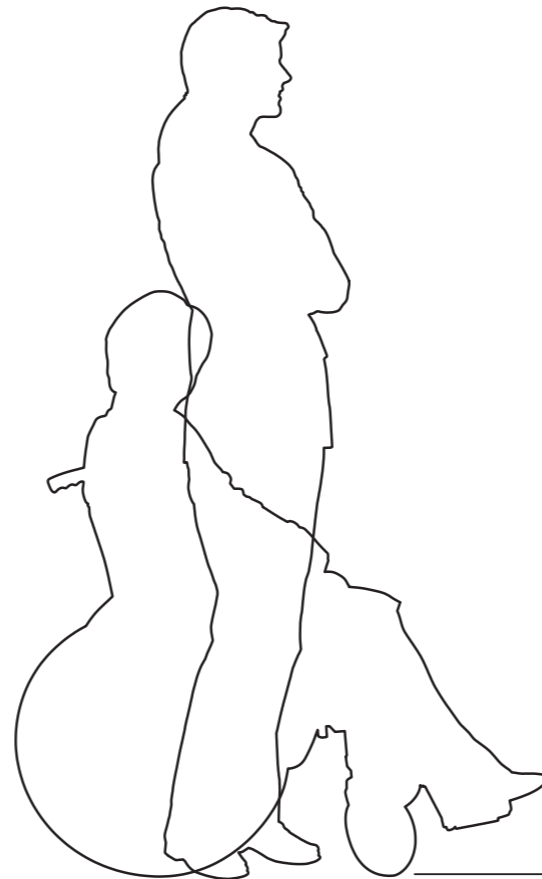
Weight: 7kg

Installation: Face fixed, wallmounted

Guarantee: 10 year lightfast guarantee



Standard assembly



Note: All dimensions are indicative only.

Specification applies to the standard product. Our range of options usually allow us to accommodate any differences you may require. Please contact us and we will be happy to support you in developing this specification to meet your requirements.

Option delete/ update as appropriate

Manufacturer: Fitzpatrick Woolmer,
Unit 7 Lakeside Park, Neptune Close,
Rochester, Kent, ME2 4LT.

Tel: 01634 711 771

Email: info@fwdp.co.uk

Metal: Aluminium

Grade: 1050

Finish: Powdercoat to BS EN 12206:2021 Part 1
with DuoGuard™ anti graffiti coating

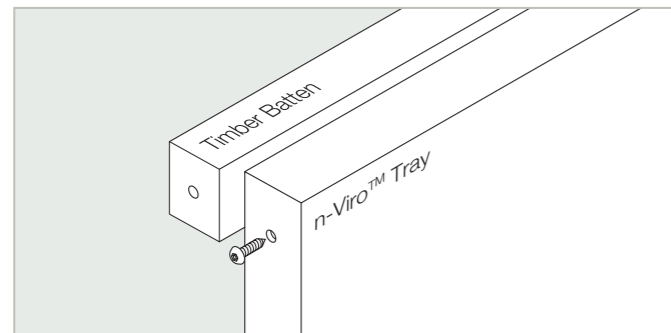
Colour: **RAL 9003 White**

Graphics: Full colour printed

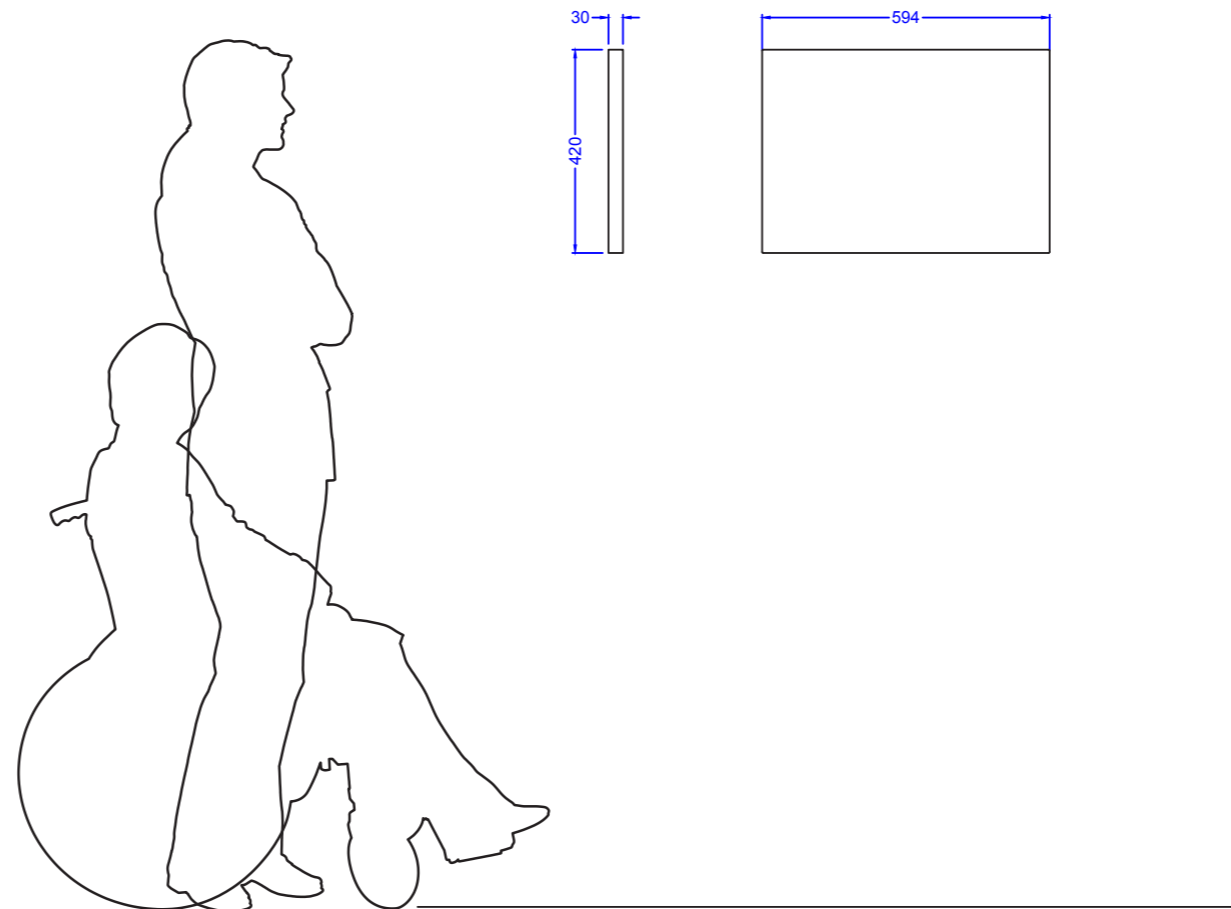
Weight: 5kg

Installation: Face fixed, wallmounted

Guarantee: 10 year lightfast guarantee



Standard assembly



Note: All dimensions are indicative only.

Specification applies to the standard product. Our range of options usually allow us to accommodate any differences you may require. Please contact us and we will be happy to support you in developing this specification to meet your requirements.

Option delete/ update as appropriate

Manufacturer: Fitzpatrick Woolmer,
Unit 7 Lakeside Park, Neptune Close,
Rochester, Kent, ME2 4LT.

Tel: 01634 711 771

Email: info@fwdp.co.uk

Metal: Aluminium

Grade: 1050

Finish: Powdercoat to BS EN 12206:2021 Part 1
with DuoGuard™ anti graffiti coating

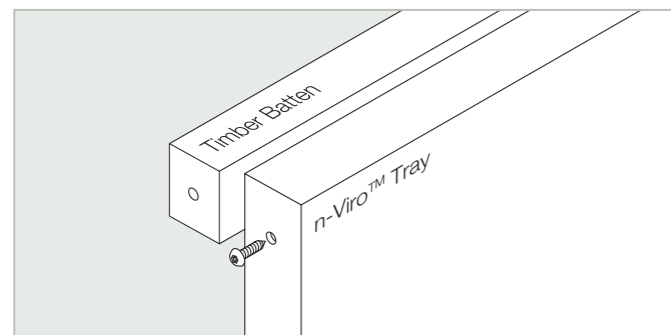
Colour: **RAL 9003 White**

Graphics: Full colour printed

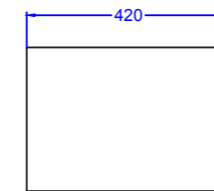
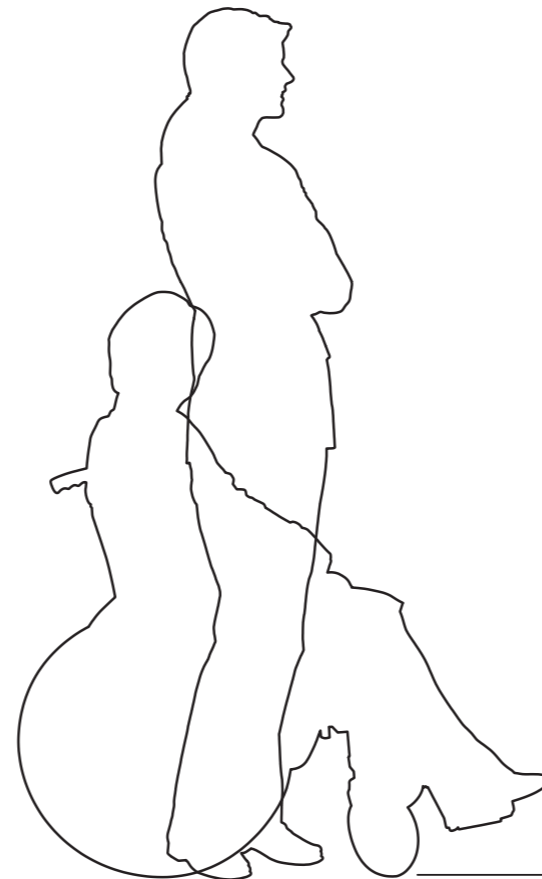
Weight: 3kg

Installation: Face fixed, wallmounted

Guarantee: 10 year lightfast guarantee



Standard assembly



Note: All dimensions are indicative only.