



**Fitzpatrick
Woolmer**

Woodsman™ Lectern

Our **Woodsman™** Oak lecterns offer a robust and accessible interpretation display solution, designed with an angled reading surface that is ideal for children and wheelchair users.

Crafted for durability, these lecterns provide a sturdy platform for engaging graphics and informative content. Visitors can embark on a journey of discovery, learning about the history, heritage, wildlife, and unique features of each location.

The design ensures inclusivity while enhancing the educational experience in any environment.

Product features

- * Hardwood FEC and PEFC Oak construction
- * Tamper resistant fixings
- * Removable graphic panel
- * Easy access for children and wheelchair users
- * Preservative finish
- * Standard sizes A2, A1 and A0
- * 1 year manufacturer's warranty

Fitzpatrick Woolmer Design & Publishing Limited

Unit 7 Lakeside Park, Neptune Close, Rochester, Kent, ME2 4LT
t: 01634 711 771 e: info@fwdp.co.uk w: fwdp.co.uk



By Appointment to His Majesty The King
Manufacturer of Signs and Wayfinding
Fitzpatrick Woolmer Design & Publishing Ltd, Kent

Specification applies to the standard product. Our range of options usually allow us to accommodate any differences you may require. Please contact us and we will be happy to support you in developing this specification to meet your requirements.

Option delete/ update as appropriate

Manufacturer: Fitzpatrick Woolmer, Unit 7 Lakeside Park, Neptune Close, Rochester, Kent, ME2 4LT.

Tel: 01634 711 771

Email: info@fwdp.co.uk

Timber: FSC Prime Grade and PEFC QPA Grade generally to BS EN 975-1

Species: Oak and Eucalyptus (external grade plywood)

Origin: France and China

Moisture content on delivery: 10% - 80%

Certification: FSC chain of custody

Finish: Sadolin Classic wood preservative, solvent based, matt

Colour: Light Oak

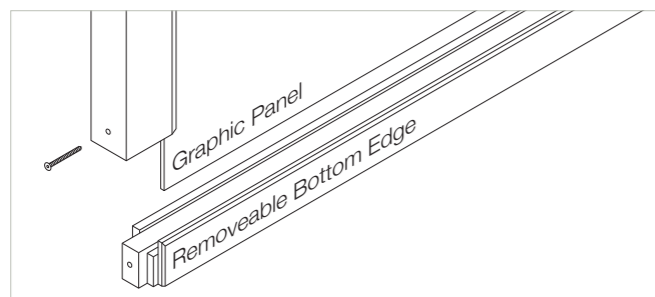
Visible fixings: Stainless steel security fixings to removable parts

Capacity: Will accommodate a 3mm thick printed graphic panel

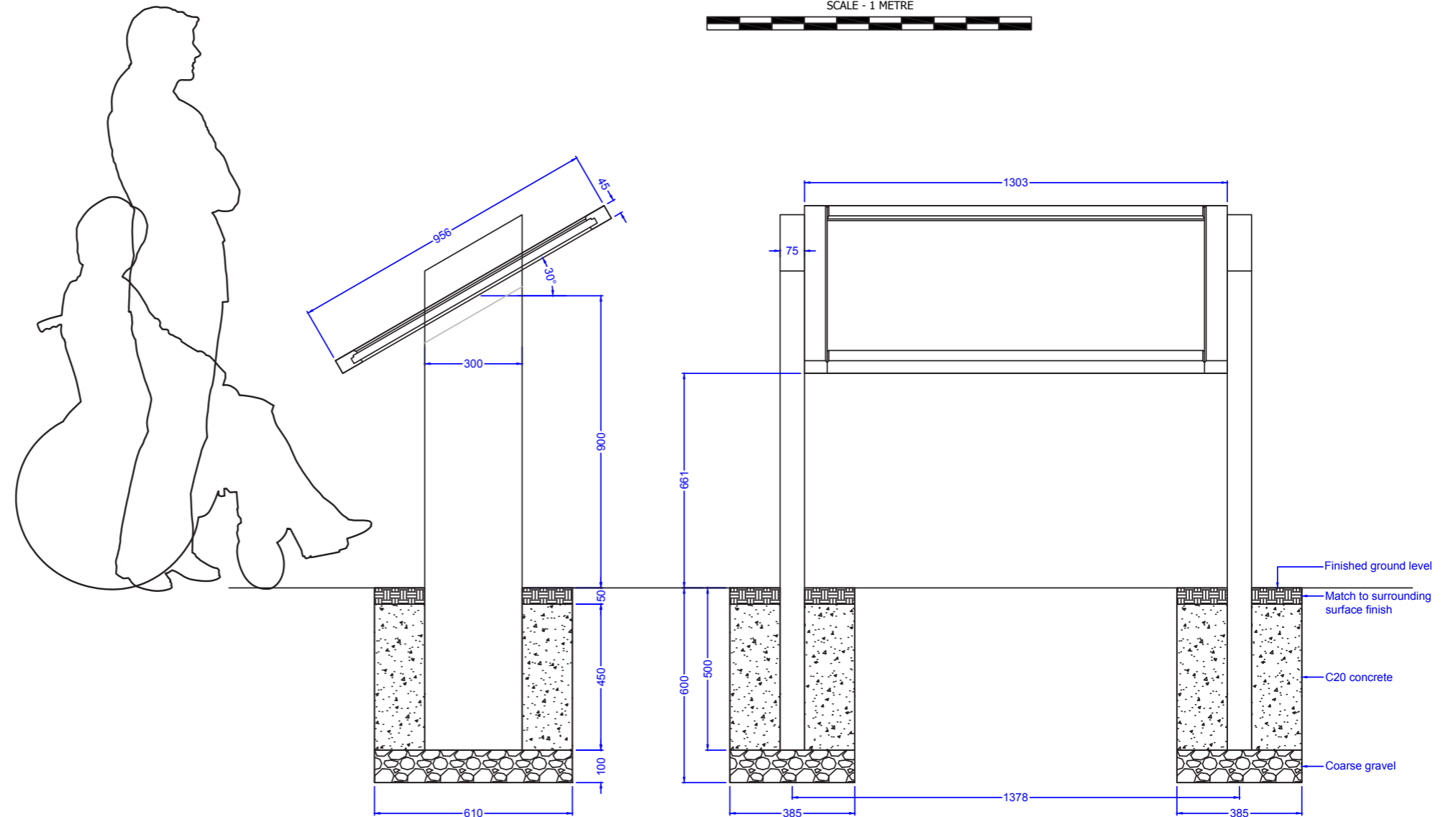
Weight: 120kg

Installation: Posts extend 500mm below ground level

Guarantee: One year manufacturer's warranty



Standard frame assembly



Note: All dimensions are indicative only. Footing details are subject to soil conditions and structural engineers recommendations.

Specification applies to the standard product. Our range of options usually allow us to accommodate any differences you may require. Please contact us and we will be happy to support you in developing this specification to meet your requirements.

Option delete/ update as appropriate

Manufacturer: Fitzpatrick Woolmer, Unit 7 Lakeside Park, Neptune Close, Rochester, Kent, ME2 4LT.

Tel: 01634 711 771

Email: info@fwdp.co.uk

Timber: FSC Prime Grade and PEFC QPA Grade generally to BS EN 975-1

Species: Oak and Eucalyptus (external grade plywood)

Origin: France and China

Moisture content on delivery: 10% - 80%

Certification: FSC chain of custody

Finish: Sadolin Classic wood preservative, solvent based, matt

Colour: Light Oak

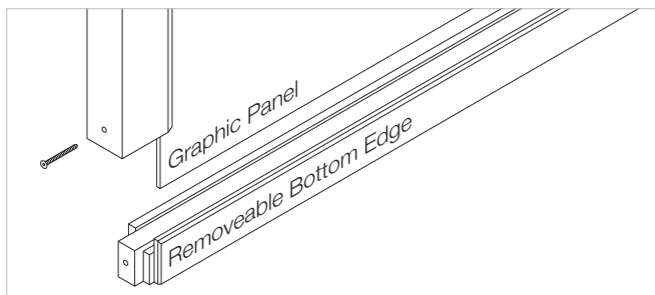
Visible fixings: Stainless steel security fixings to removable parts

Capacity: Will accommodate a 3mm thick printed graphic panel

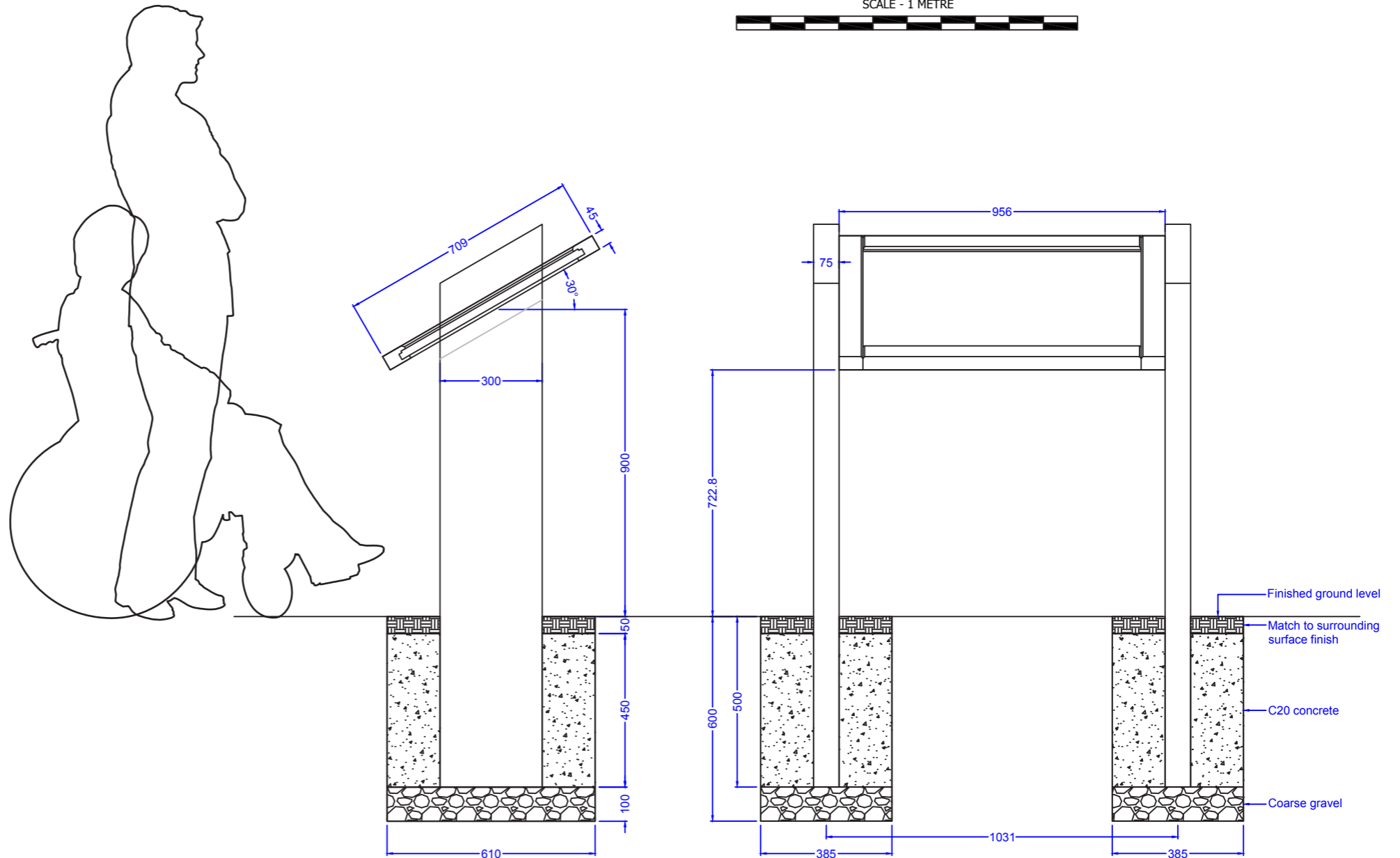
Weight: 108kg

Installation: Posts extend 500mm below ground level

Guarantee: One year manufacturer's warranty



Standard frame assembly



Note: All dimensions are indicative only. Footing details are subject to soil conditions and structural engineers recommendations.

